



Max-Air®

HIGH PRESSURE BREATHING AIR COMPRESSORS

www.max-air.com

MAX-AIR

55/90/180 Series & Tropic-Max

High Pressure Compressor For Breathing Air

Compressor Pumping Group

Parts Manual

2807 Peddler Lane West • Kerrville • Texas 78028 • USA
Tel. (830) 257-5006 • Fax (830) 257-3720 • e-mail: sales@max-air.com

ISO 9001 : SINCE 2007
REGISTERED FIRM

Max-Air is a registered trademark with the U.S. Patent Office - Copyright 2018. This manual cannot be reproduced without the express, written permission of Max-Air.

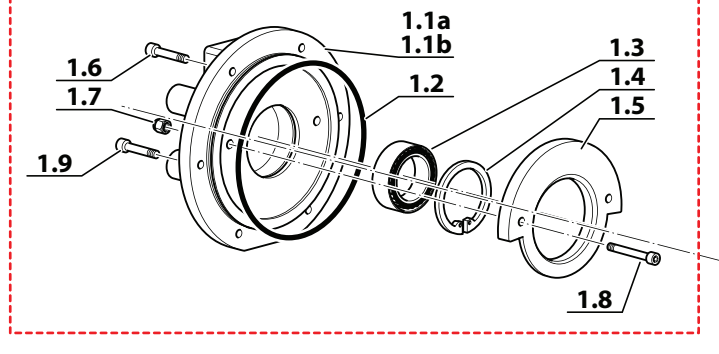
CRANKCASE

Pos.	Qty	Code	Description
KIT1a	1	13-00-0050/R	FILTER SIDE FLANGE MCH13/16 KIT
1.1a	1	13-00-0050	FILTER SIDE FLANGE MCH13/16
1.2	1	13-00-0062	FLANGE O-RING 2562
1.3	1	13-00-0042	FLANGE ROLLER BEARING NU305
1.4	1	13-00-0055	SEEGER RETAINING RING J 62
1.5	1	13-01-0042/N	HALF MOON FLANGE
1.6	6	13-00-0048	SCREW ZINC. DIN 912
1.7	2	13-00-0137	SELF LOCKING NUT
1.8	2	13-00-0067	SCREW ZINC. DIN 912
KIT1b	1	13-00-0050/TR/R	FILTER SIDE FLANGE MCH13/16 FOR TROPICAL KIT
1.1b	1	13-00-0050/TR	FILTER SIDE FLANGE MCH13/16 FOR TROPICAL
1.2	1	13-00-0062	FLANGE O-RING 2562
1.3	1	13-00-0042	FLANGE ROLLER BEARING NU305
1.4	1	13-00-0055	SEEGER RETAINING RING J 62
1.5	1	13-01-0042/N	HALF MOON FLANGE
1.6	4	13-00-0048	SCREW DIN 912
1.7	2	13-00-0137	SELF LOCKING NUT
1.8	2	13-00-0067	SCREW ZINC. DIN 912
1.9	2	13-00-0075	SCREW ZINC
KIT2a	1	13-00-0026/R	KIT CRANKCASE MCH13-16 SIGHT GLASS
KIT2b	1	13-00-0001/R	CRANKCASE MCH13-16
KIT2c	1	05-00-001/1/R	KIT CRANKCASE MCH5 CNG SIGHT GLASS
KIT2d	1	05-00-002/R	KIT CRANKCASE MCH5 CNG
2.1a	1	13-00-0026	CRANKCASE MCH13-16 SIGHT GLASS
2.1b	1	13-00-0001	CRANKCASE MCH13-16
2.1c	1	05-00-001/1	CRANKCASE MCH5 CNG SIGHT GLASS
2.1d	1	05-00-002	CRANKCASE MCH-5 CNG
2.2	1	6-00-029	OIL PURGE CAP MCH6
2.3	1	13-00-0174	STRAIGHT 1/8 PIPE FITTING
2.4	4	13-01-0008	FIRST STAGE TIE ROD MCH13/16
2.5	8	13-02-0040	2ND/3RD STAGE TIE ROD
KIT3a	1	13-00-0071/R	FAN SIDE FLANGE MCH13-16 KIT
KIT3b	1	13-00-0071/TR/R	FAN SIDE FLANGE MCH13-16 TROPICAL PLUS KIT
3.1a	1	13-00-0071	FAN SIDE FLANGE MCH13-16
3.1b	1	13-00-0071/TR	FAN SIDE FLANGE MCH13-16 TROPICAL
3.2	1	13-00-0070/N	ROLLER BEARING NUP 206 C3
3.3	1	13-00-0062	FLANGE O-RING 2562
3.4	1	13-00-0055	SEEGER RETAINING RING J 62
3.5	4	13-00-0048	SCREW ZINC. DIN 912
3.6	1	13-00-0073	OIL SPLASH GUARD
3.7	2	13-00-0075	SCREW ZINC
4	1	13-00-0074	FAN-HOLDING HUB MCH13/16
5	1	13-00-0077	COOLING FAN WHEEL MCH13-16
6	1	13-00-0082	COOLING FAN FLANGE MCH13/16
7	1	VITE1045Z	SCREW ZINC.
8	4	13-00-0080	SCREW ZINC. DIN912
9	1	RON10ZG	WASHER
10	4	13-00-0079	WASHER

CRANKCASE

KIT 1a - 13-00-0050/R

KIT 1b - Tropical Plus - 13-00-0050/TR/R

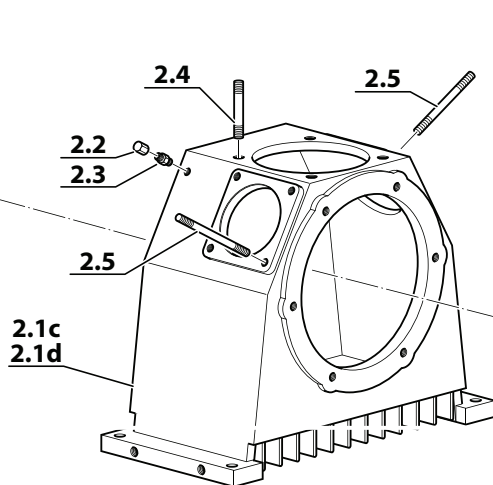


KIT2c - 05-00-001/1/R Standard-Tech-MiniTech

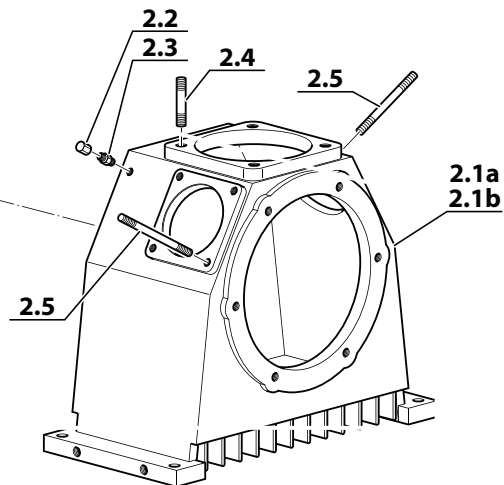
KIT2d - 05-00-002/R Compact-MiniSilent-SuperSilent-Mark

Standard-Tech-MiniTech **KIT2a - 13-00-0026/R**

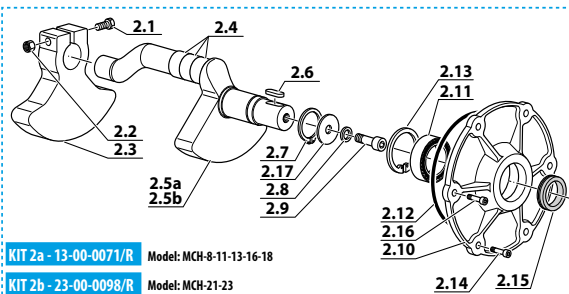
Compact-MiniSilent-SuperSilent-Mark **KIT2b - 13-00-0001/R**



CRANKCASE MCH-8

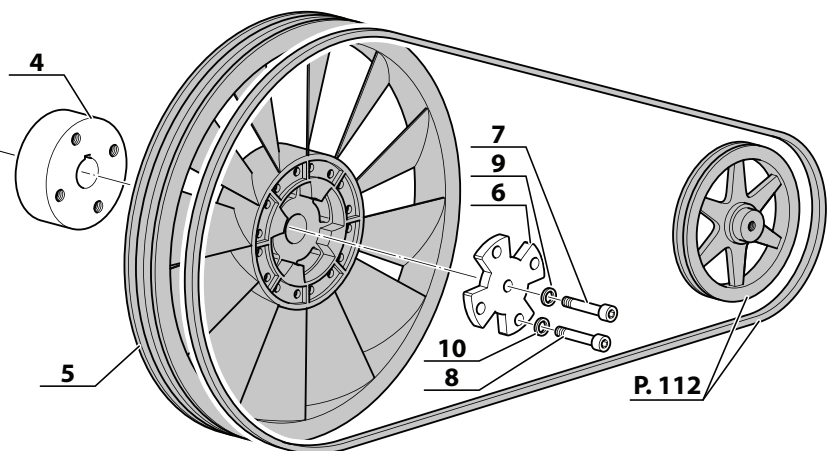


CRANKCASE MCH-11-13-16



KIT 2a - 13-00-0071/R Model: MCH-8-11-13-16-18

KIT 2b - 23-00-0098/R Model: MCH-21-23



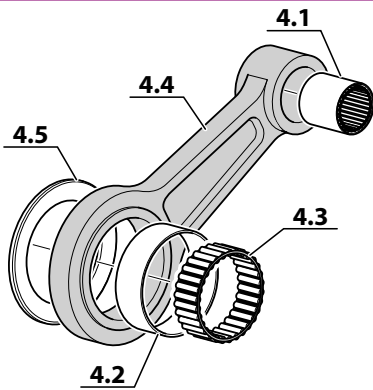
P. 112

FLANGE-COOLING FAN-CRANKSHAFT

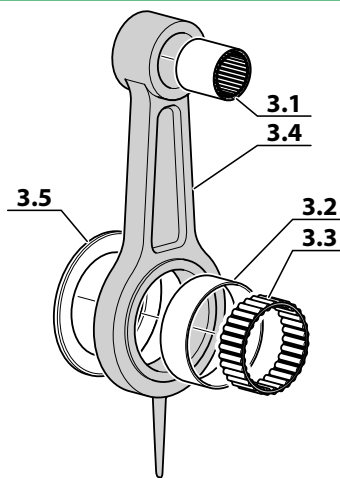
Pos.	Qty	Code	Description
KIT1a	1	13-00-0050/R	FILTER SIDE FLANGE MCH13/16 KIT
KIT1b	1	13-00-0050/TR/R	FILTER SIDE FLANGE MCH13/16 FOR TROPICAL KIT
1.1a	1		FILTER SIDE FLANGE MCH13/16
1.1b	1		FILTER SIDE FLANGE MCH13/16 FOR TROPICAL
1.2	1		FLANGE O-RING 2562
1.3	1		FLANGE ROLLER BEARING NU305
1.4	1		SEEGER RETAINING RING J 62
1.5	1		HALF MOON FLANGE 140X80 SP. 10/10 MCH13/16
1.6	6		SCREW 8X25 T.C.E. INOX DIN 912
1.7	2		O-RING 3137 NBR70 (34.60x2.62)
1.8	2		SCREW T.C.E. INOX TRILOBATA C15 6x20 DIN912
1.9	1		OIL FILLING TUBE MCH13/16
1.10	1		OIL FILLING CAP
1.11	1		RILSAN HOSE 8X6
1.12	1		LOWER OIL CHARGE TUBE FITTING MCH13/16
KIT2a	1	13-00-0071/R	FAN SIDE FLANGE+CRANKSHAFT MCH13-16 KIT
KIT2b	1	23-00-0098/R	FAN SIDE FLANGE+CRANKSHAFT MCH 21-23 KIT
2.1	1		8X65 TCE SCREW
2.2	1		8MM SELF-LOCKING NUT
2.3	1		COUNTERWEIGHT
2.4	3		HARDENED RING LR 30X35X16,5
2.5a	1		CRANKSHAFT MCH13/16
2.5b	1		CRANKSHAFT MCH21/23
2.6	1		KEY MM.8X7X25
2.7	1		SEEGER RETAINING RING A30 30X1,5
2.8	1		WASHER M10 INOX DIN125
2.9	1		SCREW 10X40 T.C.E. ZINC.
2.10	1		FAN SIDE FLANGE MCH13-16
2.11	1	13-00-0070/N	ROLLER BEARING NUP 206 C3
2.12	1		FLANGE O-RING 2562
2.13	1		SEEGER RETAINING RING J 62
2.14	4		SCREW 8X25 T.C.E. NOX DIN 912
2.15	1	13-00-0173/D	OIL SPLASH GUARD 30-48-8
2.16	2		SCREW T.C.E. INOX 8X30
2.17	1		WASHER COOLING FAN MCH-13-16
KIT3	1	16-00-0100/R	1ST STAGE CON-ROD ASS.BLY KIT
3.1	1		BEARING ROLLER
3.2	1		HARDENED RING IR 42X47X15,1
3.3	1		BEARING ROLLER
3.4	1		1ST STAGE CON-ROD
3.5	1		SPACER
KIT4	1	16-00-0101/R	2ND/3RD STAGE CON-ROD ASS.BLY MCH13/16/23 KIT
4.1	1		BEARING ROLLER
4.2	1		HARDENED RING IR 42X47X15,1
4.3	1		BEARING ROLLER
4.4	1		2ND 3RD STAGE CON-ROD
4.5	1		SPACER
5	1	13-00-0077	COOLING FAN WHEEL MCH13-16
6	1	13-00-01177	WASHER COOLING FAN MCH-13-16
7	1	RON10I	WASHER M10 INOX DIN125
8	1	13-00-0081	SCREW 10X40 T.C.E. ZINC.
9	4	13-01-0008	STUD SCREW M8X35 INOX
10	8	13-02-0040	STUD SCREW M8X105 INOX

FLANGE/COOLING FAN

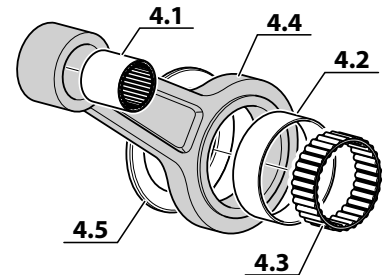
KIT4 (3rd STAGE) - 16-00-0101/R



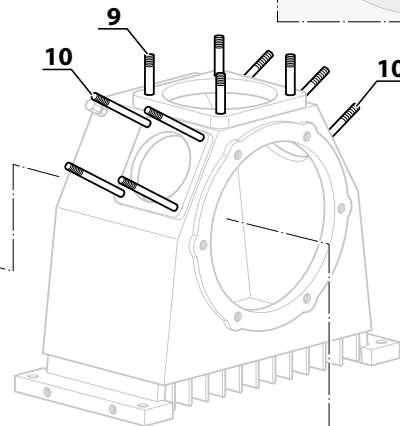
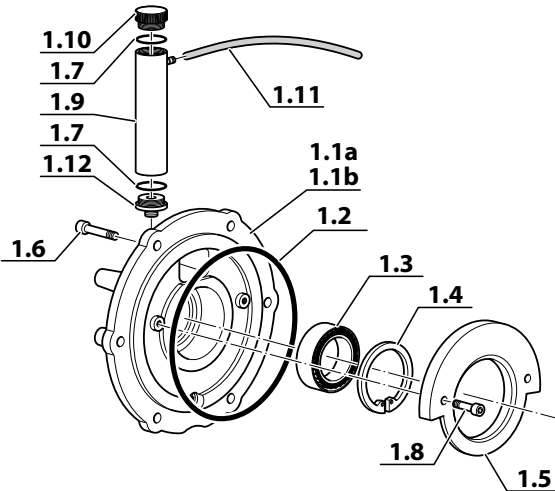
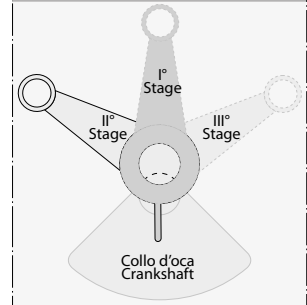
KIT3 (1st STAGE) - 16-00-0100/R



KIT4 (2nd STAGE) - 16-00-0101/R

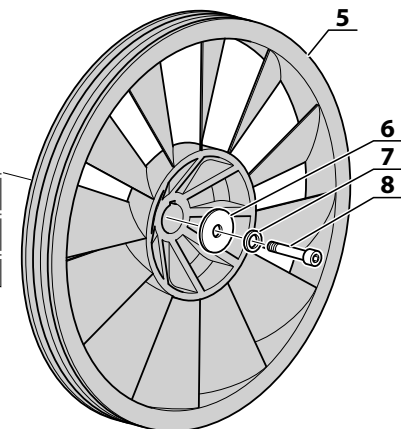
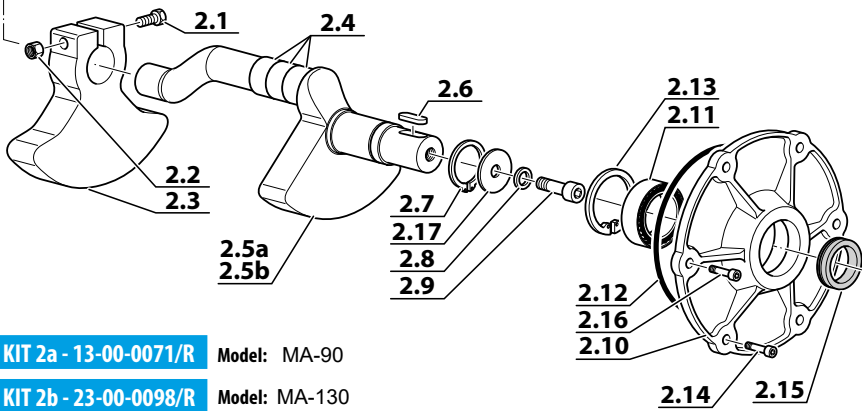


Senso di montaggio biella 1° stadio
Direction of assembly 1st stage connecting-rod



KIT 1a - 13-00-0050/R Model: MA-90

KIT 1b - 13-00-0050/TR/R Model: MA-90 Tropic Max



KIT 2a - 13-00-0071/R Model: MA-90

KIT 2b - 23-00-0098/R Model: MA-130

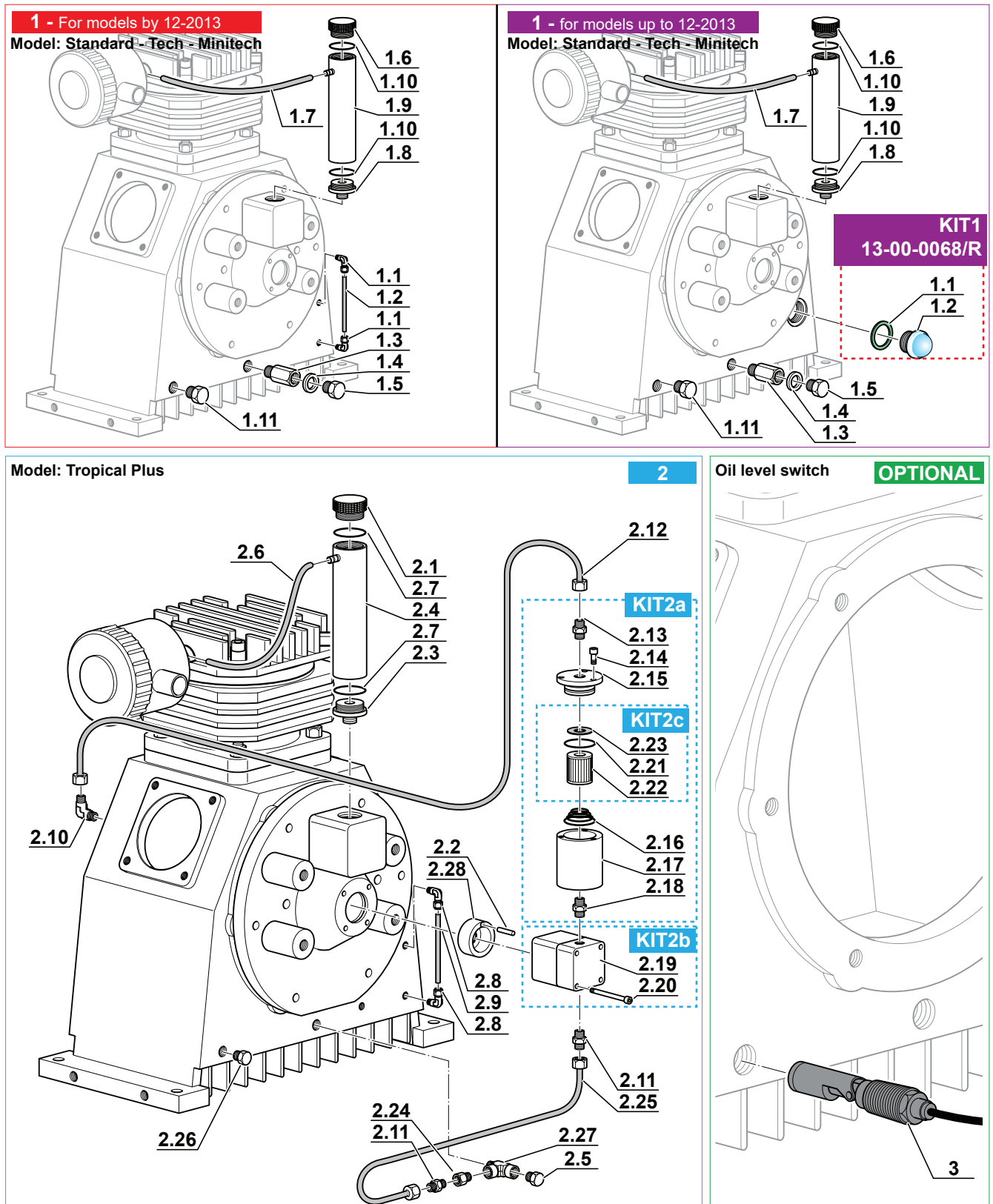
OIL LEVEL

Mod: Standard - Tech - Minitch - Tropical Plus

Pos.	Qty	Code	Description
1.1	1	13-00-0021	FITTING 90°
1.2	1	13-00-0064	OIL LEVEL CHECK TUBE MCH13/16
1.3	1	13-00-0052	FITTING FOR OIL DISCHARGE
1.4	1	13-00-0053	COPPER GASKET
1.5	1	13-00-0063	OIL DRAIN PLUG
1.6	1	13-00-0090	OIL FILLING CAP 1/2 (RED) MCH13/16 WITH BREATHER
1.7	1	RILSAN6X4	RILSAN HOSE 6X4
1.8	1	13-00-0065	LOWER OIL CHARGE TUBE FITTING MCH13/16
1.9	1	13-00-0076	OIL FILLING TUBE MCH13/16
1.10	2	13-01-0013	O-RING 3137 NBR70
1.11	1	13-00-0063/NPT	OIL ALERT 1/2-14 NPT - MCH-13/16 PLUG
KIT1			
KIT1	1	13-00-0068/R	OIL LEVEL KIT
1.1	1	13-00-0078	GASKET
1.2	1	13-00-0068	OIL LEVEL VIEWER
1.3	1	13-00-0052	FITTING FOR OIL DISCHARGE
1.4	1	13-00-0053	COPPER GASKET
1.5	1	13-00-0063	OIL DRAIN PLUG
1.6	1	13-00-0090	OIL FILLING CAP 1/2 (RED) MCH13/16 WITH BREATHER
1.7	1	RILSAN6X4	RILSAN HOSE 6X4
1.8	1	13-00-0065	LOWER OIL CHARGE TUBE FITTING MCH13/16
1.9	1	13-00-0076	OIL FILLING TUBE MCH13/16
1.10	2	13-01-0013	O-RING 3137 NBR70
1.11	1	13-00-0063/NPT	OIL ALERT 1/2-14 NPT - MCH-13/16 PLUG
2.1	1	13-00-0090	OIL FILLING CAP 1/2 (RED) MCH13/16 WITH BREATHER
2.2	1	SPINA/3,5x26	PIN
2.3	1	13-00-0065	LOWER OIL CHARGE TUBE FITTING MCH13/16
2.4	1	13-00-0076	OIL FILLING TUBE MCH13/16
2.5	1	13-04-0231	OIL DRAIN PLUG 1/2"
2.6	1	RILSAN6X4	RILSAN HOSE 6X4
2.7	2	13-01-0013	O-RING 3137 NBR70
2.8	1	13-00-0021	FITTING 90°
2.9	1	13-00-0064	OIL LEVEL CHECK TUBE MCH13/16
2.10	1	13-00-0144	FITTING 90°
2.11	1	13-00-0035	STRAIGHT FITTING 1/4 TUBE 8MM
2.12	1	13-03-0025/TR	SS TUBE 6X1 MCH-13-16 TROPICAL PLUS OIL DRAIN
KIT2a			
KIT2a	1	36-06-007/R	KIT OIL FILTER COVER
2.13	1	13-00-0025E	FITTING 1/4 G-PIPE
2.14	1	VITE0512Z	SCREW ZINC
2.15	1	36-06-004	MCH-36 OIL FILTER PLUG
2.16	1	RE2ST/11	CONICAL SPRING
2.17	1	36-06-007	OIL FILTER CARTER
2.18	1	RACC25301/41/8	FITTING 2530 1/4 1/8
KIT2b			
KIT2b	1	36-06-009/R	KIT OIL PUMP
2.19	1	36-06-009	OIL PUMP MCH36
2.20	4	36-06-010	MCH36 SCREW
KIT2c			
KIT2c	1	36-06-006/R	KIT OIL FILTER
2.21	1	13-01-0013	O-RING 3137 NBR70
2.22	1	36-06-006	OIL FILTER
2.23	1	36-06-005	OIL FILTER GASKET IN NBR
2.24	1	RIDUZIONE/E2151004	M-F 1/2 1/4 REDUCTION
2.25	1	13-03-0024/TR	SS TUBE 8X1 DRAIN FITTING-OIL PUMP
2.26	1	13-00-0063/NPT	OIL ALERT 1/2-14 NPT - MCH-13/16 PLUG
2.27	1	RACC20701/2	T FITTING FXFXM 1/2
2.28	1	36-06-019/T	OIL PUMP COUPLING MCH13/16 TROPICAL
3	1	SC000334	OIL LEVEL SWITCH

OIL LEVEL

Mod: Standard - Tech - Minitech - Tropical Plus



OIL LEVEL

Mod: Compact - Compact M - Compact Evo - MiniSilent - SuperSilent Evo - Tropical - Mark1 - MCH 26-32/ET Compact

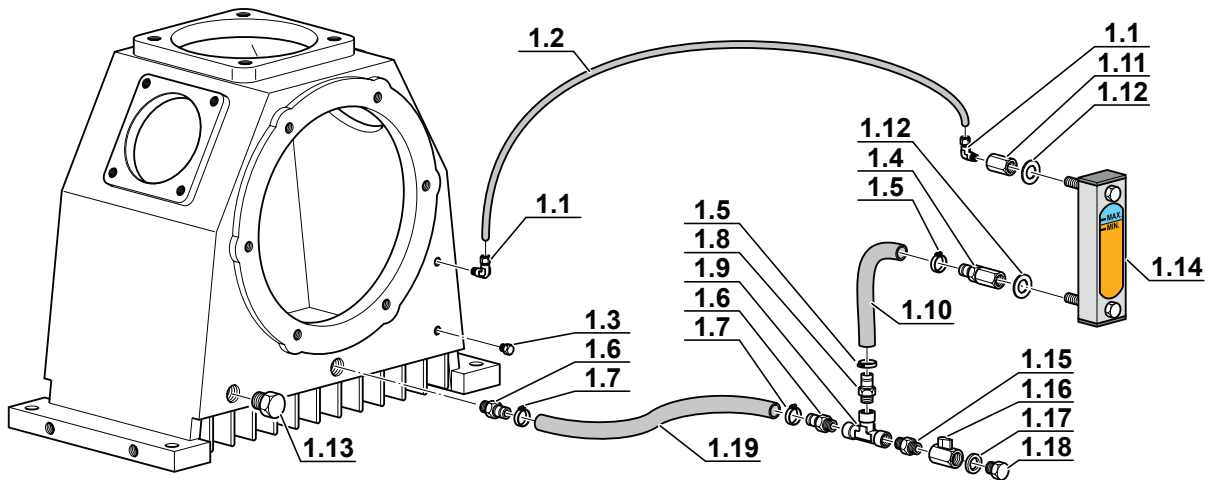
Pos.	Qty	Code	Description
1.1	2	13-00-0021	FITTING 90° 1/8 NPT
1.2	1	13-00-0064	OIL LEVEL CHECK TUBE MCH13/16
1.3	1	13-00-0139	PLUG
1.4	1	13-04-0333	LOWER OIL LEVEL FITTING
1.5	2	FASC/2/10/18	CLAMP
1.6	2	13-00-0052A	FITTING
1.7	4	FASC/3B/17/29	CLAMP
1.8	2	13-00-0063/N	1/2 CARRIER FITTING
1.9	1	13-04-0339	T FITTING
1.10	1	13-04-0335	OIL LEVEL TUBE
1.11	2	13-04-0218	OIL LEVEL UPPER FITTING
1.12	2	GUAR-LIV-OLIO	OIL LEVEL GASKET
1.13	2	13-00-0063/NPT	OIL ALERT 1/2-14 NPT - MCH-13/16 PLUG
1.14	1	13-04-0229	OIL LEVEL
1.15	1	RACC-2501-1/2	FITTING M-M 1/2"
1.16	1	13-04-0230	OIL DRAIN VALVE MCH13/16
1.17	1	13-00-0053	COPPER GASKET
1.18	1	13-04-0231	OIL DRAIN PLUG 1/2"
1.19	1	13-04-0342	OIL DRAIN TUBE MCH13/16 COMPACT
2.1	2	13-00-0021	FITTING 90° 1/8 NPT
2.2	1	13-00-0064	OIL LEVEL CHECK TUBE MCH13/16
2.3	1	13-00-0139	PLUG
2.4	2	RACC20031/2	T FITTING
2.5	1	13-00-0053	COPPER GASKET
2.6	2	13-00-0052A	FITTING
2.7	4	FASC/3B/17/29	CLAMP
2.8	1	13-04-0333	LOWER OIL LEVEL FITTING
2.9	1	13-04-0339	T FITTING
2.10	2	13-04-0338	REDUCTION
2.11	2	13-04-0218	OIL LEVEL UPPER FITTING
2.12	2	GUAR-LIV-OLIO	OIL LEVEL GASKET
2.13	2	13-00-0063/NPT	OIL ALERT 1/2-14 NPT - MCH-13/16 PLUG
2.14	1	13-04-0229	OIL LEVEL
2.15	1	TAPPO/OLIO/3/4	OIL PLUG
2.16	1	13-04-0230	OIL DRAIN VALVE MCH13/16
2.17	1	RACC/3/4-1/2	PLUG
2.18	1	13-04-0231	OIL DRAIN PLUG
2.19	1	13-04-0342	OIL DRAIN TUBE MCH13/16 COMPACT
2.20	1	13-04-0335	OIL LEVEL TUBE
2.21	1	13-00-0063/N	1/2 CARRIER FITTING
2.22a	1	T-SP-16X23-750	FOOD SPIRAL HOSE
2.22b	1	T-SP-16X23-1400	FOOD SPIRAL HOSE
2.23	2	FASC/2/10/18	CLAMP
2.24	2	RACC-2501-1/2	FITTING

OIL LEVEL

Mod: Compact - Compact M - Compact Evo - MiniSilent - SuperSilent Evo - Tropical - Mark1 - MCH 26-32/ET Compact

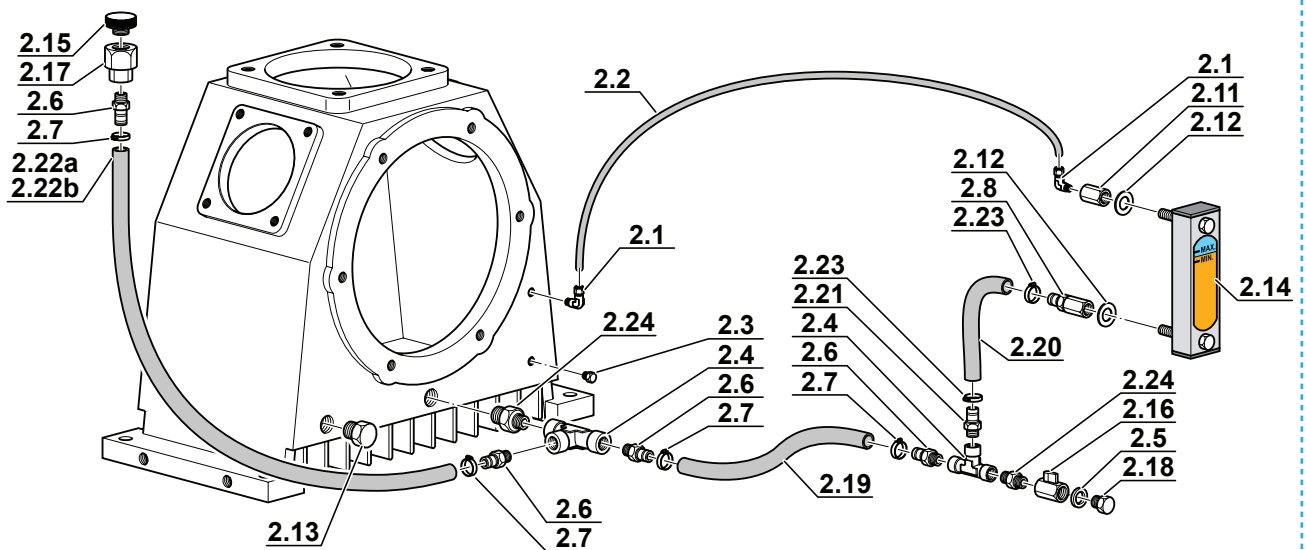
Model: Compact - Compact M - Compact Evo - MiniSilent - SuperSilent Evo - Tropical - Mark1

1



Model: MCH 26-32/ET Compact

2

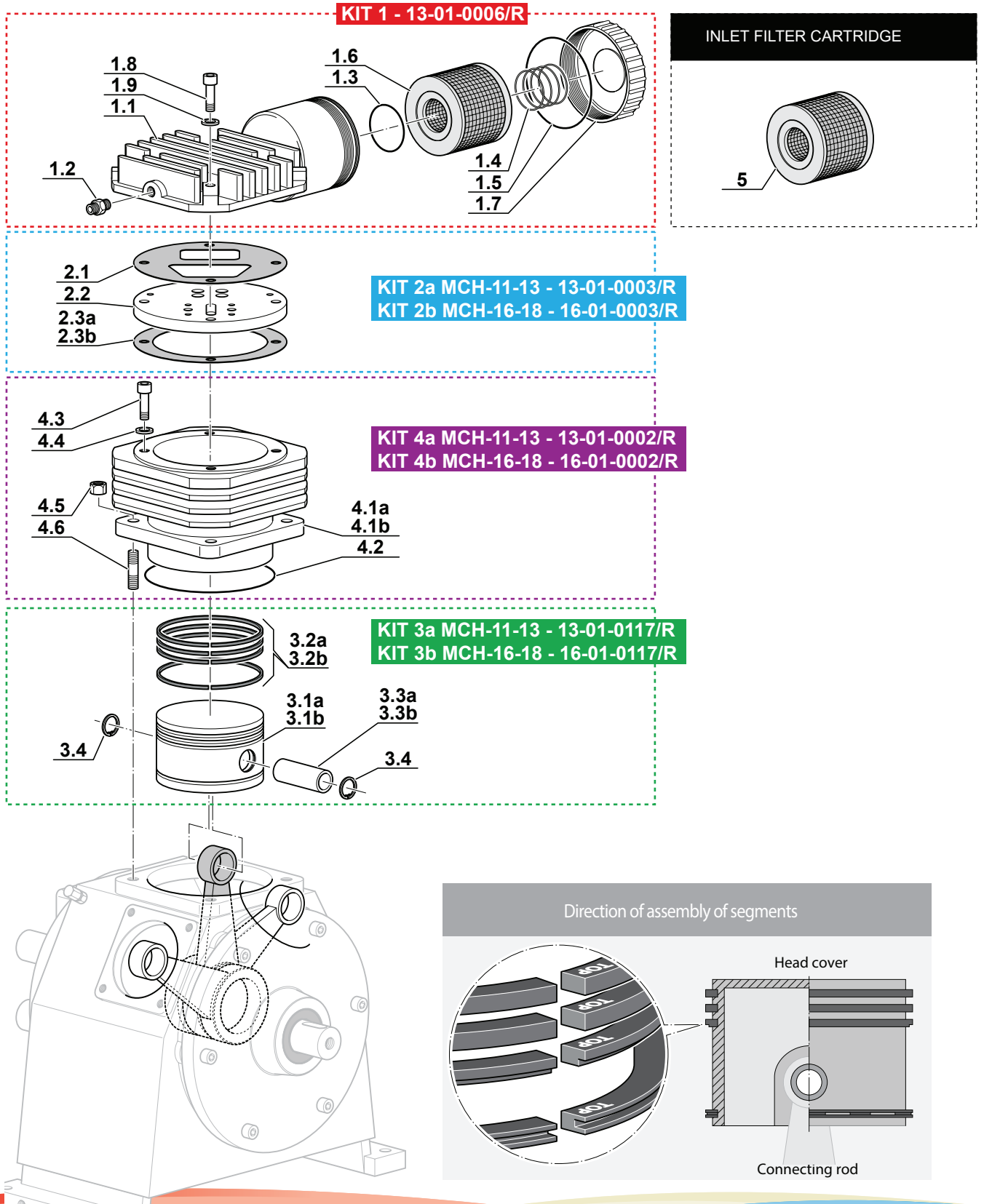


1st STAGE MCH-11-13-16-18

For models up to 12-2014

Pos.	Qty	Code	Description
KIT1	1	13-01-0006/R	1ST STAGE HEAD COVER MCH13/16 KIT
1.1	1	13-01-0006	1ST STAGE HEAD COVER MCH13/16
1.2	1	13-00-0012	STRAIGHT FITTING 1/4 TUBE
1.3	1	13-01-0013	O-R SUCTION FILTER 3137 NBR 70
1.4	1	13-01-0026	INTAKE FILTER SPRING
1.5	1	13-01-0011	INTAKE FILTER COVER O-RING MCH13/16
1.6	1	IF-90	INLET FILTER CARTRIDGE MCH13/16
1.7	1	13-01-0041	INTAKE FILTER COVER MCH13/16
1.8	4	13-00-0010	SCREW ZINC. DIN 912
1.9	4	RON/8	WASHER FLAT ZINC
KIT2a	1	13-01-0003/R	1°ST STAGE CYLINDER HEAD 88MM KIT
2.1	1	13-01-0005	1°ST STAGE GASKET MCH/13 UPPER HEAD
2.2	1	13-01-0004	1ST STAGE REED VALVE
2.3a	1	13-01-0003	1ST STAGE 88MM. GASKET UNDER HEAD
KIT2b	1	16-01-0003/R	1°ST STAGE CYLINDER HEAD 97MM KIT
2.1	1	13-01-0005	1°ST STAGE GASKET MCH/13 UPPER HEAD
2.2	1	13-01-0004	1ST STAGE REED VALVE
2.3b	1	16-01-0003	GASKET FIRST STAGE D. 97MM MCH16 UNDER HEAD
KIT3a	1	13-01-0117/R	1ST STAGE MCH13 KIT
3.1a	1	13-01-0117	1ST STAGE 88MM. PISTON MCH13
3.2a	4	13-01-0118	PISTON RINGS D. 88MM 1STA STAGE MCH13
3.3a	1	13-01-0116	FIRST STAGE 88MM PIN
3.4	2	13-00-0110	SEEGER RETAINING RING
KIT3b	1	16-01-0117/R	1ST STAGE MCH16 KIT
3.1b	1	16-01-0117	1ST STAGE PISTON D.95MM MCH16
3.2b	4	16-01-0118	PISTON RINGS DIA 95MM FIRST STAGE MCH16
3.3b	1	16-01-0116	FIRST STAGE 95MM PIN
3.4	2	13-00-0110	SEEGER RETAINING RING
KIT4a	1	13-01-0002/R	1ST STAGE CYLINDER 88MM. MCH13 KIT
4.1a	1	13-01-0002	1ST STAGE CYLINDER 88MM. MCH13
4.2	1	13-01-0007	O-RING 2400 NBR 70
4.3	4	13-00-0010	SCREW ZINC. DIN 912
4.4	4	RON/8	WASHER FLAT ZINC
4.5	4	13-00-0018	MIDDLE NUT ZINC
4.6	4	13-01-0008	FIRST STAGE TIE ROD MCH13/16
KIT4b	1	16-01-0002/R	1ST STAGE CYLINDER D.95MM MCH16 KIT
4.1b	1	16-01-0002	1ST STAGE CYLINDER D.95MM MCH16
4.2	1	13-01-0007	O-RING 2400 NBR 70
4.3	4	13-00-0010	SCREW ZINC. DIN 912
4.4	4	RON/8	WASHER FLAT ZINC
4.5	4	13-00-0018	MIDDLE NUT ZINC.
4.6	4	13-01-0008	FIRST STAGE TIE ROD MCH13/16
5	1	IF-90	INLET FILTER CARTRIDGE MCH13/16

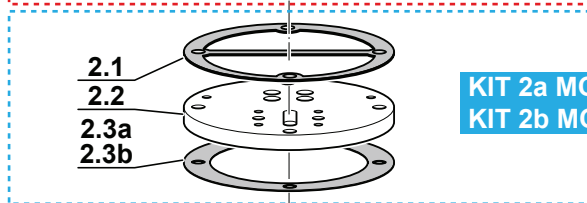
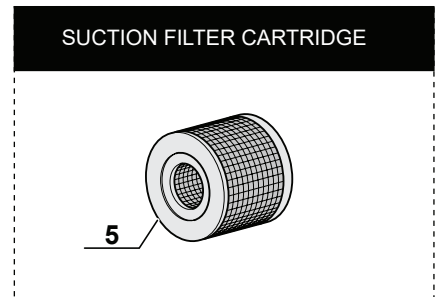
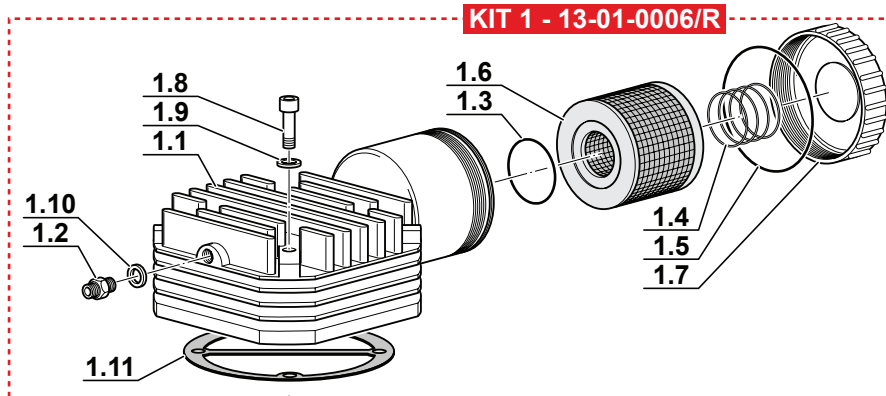
1st STAGE MCH-11-13-16-18
For models up to 12-2014



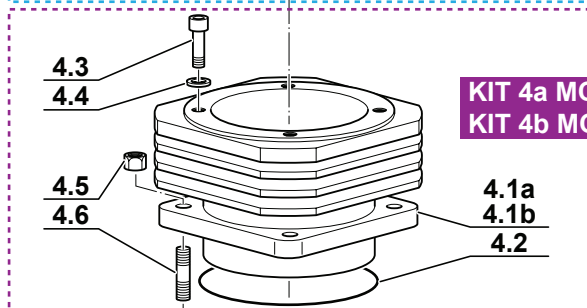
1st STAGE MCH-11-13-16-18 For models by 01-2015

Pos.	Qty	Code	Description
KIT1	1	13-01-0006/N/R	NEW 1ST STAGE HEAD COVER MCH13/16 KIT
1.1	1	13-01-0006/N	NEW 1ST STAGE HEAD COVER MCH13/16
1.2	1	13-07-041	FITTING 3/8 TUBE
1.3	1	13-01-0013	O-R SUCTION FILTER 3137 NBR 70
1.4	1	13-01-0026	INTAKE FILTER SPRING
1.5	1	13-01-0011	INTAKE FILTER COVER O-RING MCH13/16
1.6	1	IF-90	SUCTION FILTER CARTRIDGE MCH13/16
1.7	1	13-01-0041	INTAKE FILTER COVER MCH13/16
1.8	4	VITE0890	SCREW ZINC. DIN 912
1.9	4	RON/8	WASHER FLAT ZINC
1.10	1	13-01-0009	COPPER WASHER 3/8
1.11	1	13-01-0005/N	1ST STAGE GASKET MCH/13 NEW HEAD
KIT2a	1	13-01-0003/N/R	1ST STAGE CYLINDER HEAD 88MM KIT
2.1	1	13-01-0005/N	1ST STAGE GASKET MCH/13 NEW HEAD
2.2	1	13-01-0004	1ST STAGE REED VALVE
2.3a	1	13-01-0003	1ST STAGE 88MM. GASKET UNDER HEAD
KIT2b	1	16-01-0003/R	1ST STAGE CYLINDER HEAD 97MM KIT
2.1	1	13-01-0005	1ST STAGE GASKET MCH/13 UPPER HEAD
2.2	1	13-01-0004	1ST STAGE REED VALVE
2.3b	1	16-01-0003	GASKET FIRST STAGE D. 97MM MCH16 UNDER HEAD
KIT3a	1	13-01-0117/R	1ST STAGE MCH13 KIT
3.1a	1	13-01-0117	1ST STAGE 88MM. PISTON MCH13
3.2a	4	13-01-0118	PISTON RINGS D. 88MM 1STA STAGE MCH13
3.3a	1	13-01-0116	FIRST STAGE 88MM PIN
3.4	2	13-00-0110	SEEGER RETAINING RING
KIT3b	1	16-01-0117/R	1ST STAGE MCH16 KIT
3.1b	1	16-01-0117	1ST STAGE PISTON D.95MM MCH16
3.2b	4	16-01-0118	PISTON RINGS DIA 95MM FIRST STAGE MCH16
3.3b	1	16-01-0116	FIRST STAGE 95MM PIN
3.4	2	13-00-0110	SEEGER RETAINING RING
KIT4a	1	13-01-0002/R	1ST STAGE CYLINDER 88MM. MCH13 KIT
4.1a	1	13-01-0002	1ST STAGE CYLINDER 88MM. MCH13
4.2	1	13-01-0007	O-RING 2400 NBR 70
4.3	4	13-00-0010	SCREW ZINC. DIN 912
4.4	4	RON/8	WASHER FLAT ZINC
4.5	4	13-00-0018	MIDDLE NUT ZINC.
4.6	4	13-01-0008	FIRST STAGE TIE ROD MCH13/16
KIT4b	1	16-01-0002/R	1ST STAGE CYLINDER D.95MM MCH16 KIT
4.1b	1	16-01-0002	1ST STAGE CYLINDER D.95MM MCH16
4.2	1	13-01-0007	O-RING 2400 NBR 70
4.3	4	13-00-0010	SCREW ZINC. DIN 912
4.4	4	RON/8	WASHER FLAT ZINC
4.5	4	13-00-0018	MIDDLE NUT ZINC.
4.6	4	13-01-0008	FIRST STAGE TIE ROD MCH13/16
5	1	IF-90	SUCTION FILTER CARTRIDGE MCH13/16

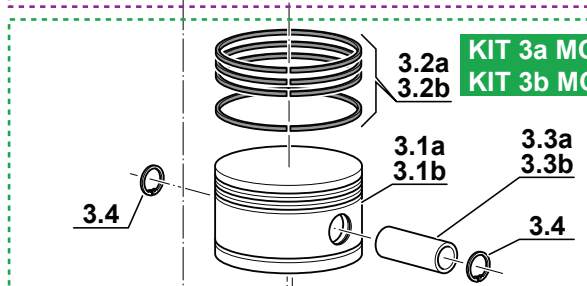
1st STAGE MCH-11-13-16-18
For models by 01-2015



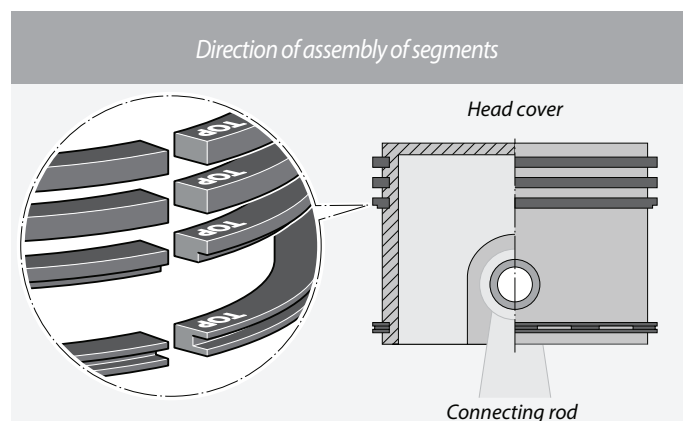
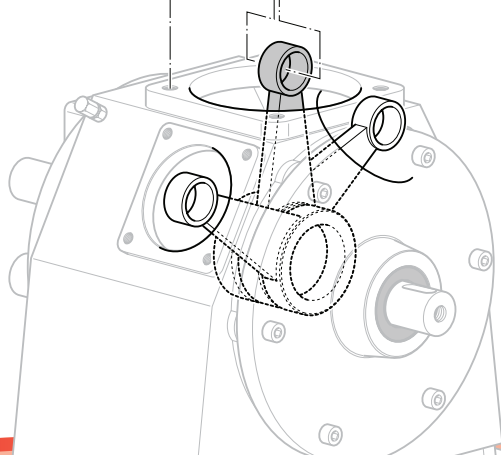
KIT 2a MCH-11-13 - 13-01-0003/R
KIT 2b MCH-16-18 - 16-01-0003/R



KIT 4a MCH-11-13 - 13-01-0002/R
KIT 4b MCH-16-18 - 16-01-0002/R



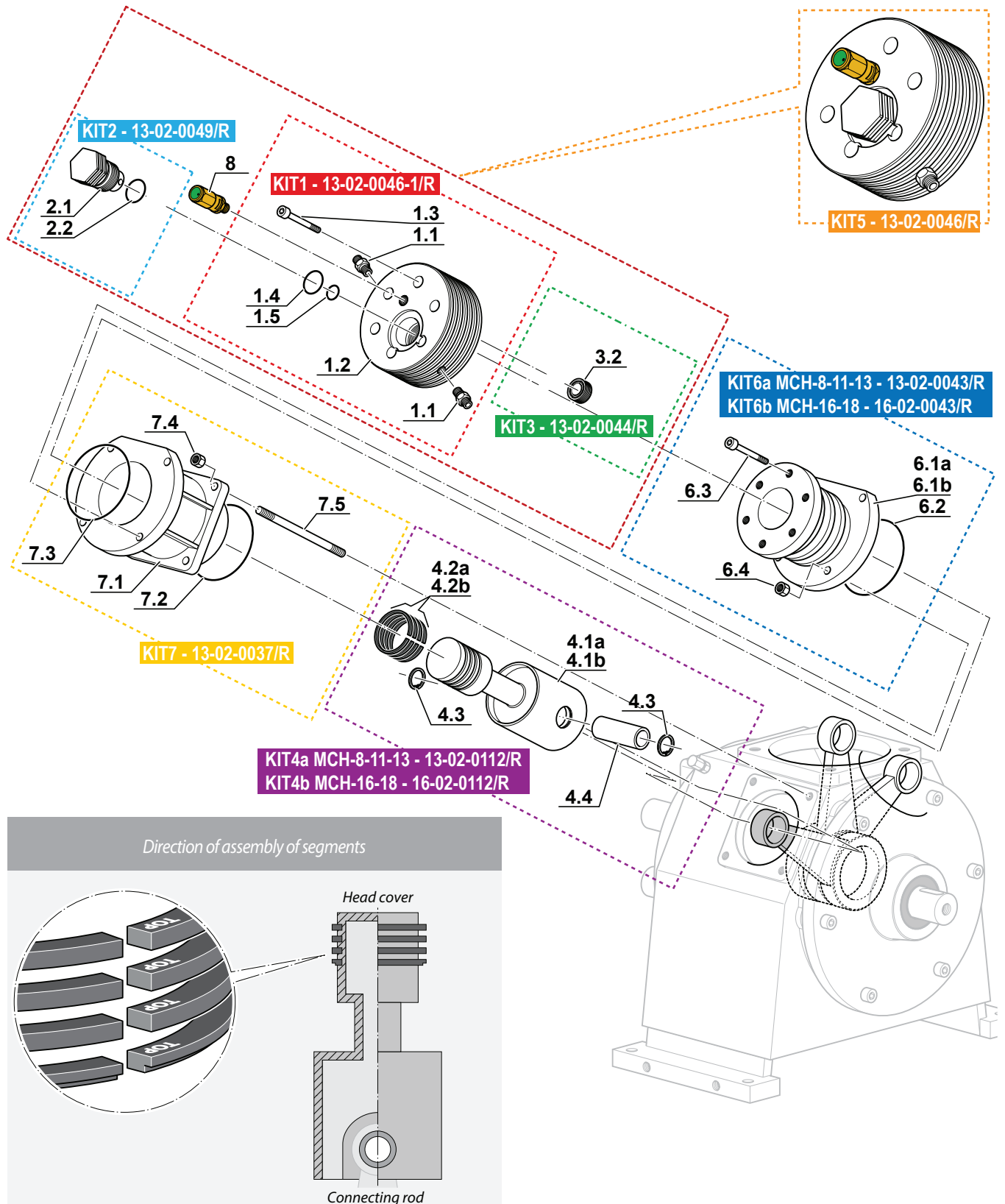
KIT 3a MCH-11-13 - 13-01-0117/R
KIT 3b MCH-16-18 - 16-01-0117/R



2nd STAGE

Pos.	Qty	Code	Description
KIT1	1	13-02-0046-1/R	SECOND STAGE HEAD MCH13/16 KIT
1.1	2	13-02-0045/E	LONG STRAIGHT 1/4 PIPE FITTING
1.2	1	13-02-0046	SECOND STAGE HEAD MCH13/16
1.3	6	13-00-0075	SCREW ZINC.
1.4	1	13-02-0056	O-RING 4087 VITON NBR 90 SHORT
1.5	1	13-03-0029/90	O-RING VITON NBR 90 SHORT
KIT2	1	13-02-0049/R	2ND STAGE PRESSURE VALVE ASS MCH13/16 KIT
2.1	1	13-02-0049	2ND STAGE PRESSURE VALVE ASS MCH13/16
2.2	1	13-02-0056	O-RING 4087 VITON NBR 90 SHORT
KIT3	1	13-02-0044/R	2ND STAGE SUCTION VALVE ASSBLY
3.2	1	13-02-0044	2ND STAGE SUCTION VALVE ASSBLY
KIT4a	1	13-02-0112/R	2ND STAGE PISTON DIA. 60/36MM MCH13 KIT
4.1a	1	13-02-0112	2ND STAGE PISTON DIA. 60/36MM MCH13
4.2a	4	13-02-0113	PISTON RING DIA. 36MM 2ND STAGE MCH13
4.3	2	13-00-0110	SEEGER RETAINING RING
4.4	1	13-02-0111	2ND STAGE PIN
KIT4b	1	16-02-0112/R	2ND STAGE PISTON D.60/38MM MCH16 KIT
4.1b	1	16-02-0112	2ND STAGE PISTON D.60/38MM MCH16
4.2b	4	16-02-0113	2ND STAGE PISTON RINGS D.38MM MCH/16
4.3	2	13-00-0110	SEEGER RETAINING RING
4.4	1	13-02-0111	2ND STAGE PIN
KIT5	1	13-02-0046/R	2ND STAGE HEAD COMPLETE WITH FITTING-ALVE
KIT6a	1	13-02-0043/R	2ND STAGE 36MM CYLINDER MCH13 KIT
6.1a	1	13-02-0043	2ND STAGE 36MM CYLINDER MCH13
6.2	1	13-00-0039	O-RING 3237 NBR 70
6.3	6	13-00-0075	SCREW ZINC.
6.4	4	13-00-0018	MIDDLE NUT ZINC.
KIT6b	1	16-02-0043/R	2ND STAGE CYLINDER D.38MM MCH16 KIT
6.1b	1	16-02-0043	2ND STAGE CYLINDER D.38MM MCH16
6.2	1	13-00-0039	O-RING 3237 NBR
6.3	6	13-00-0075	SCREW ZINC.
6.4	4	13-00-0018	MIDDLE NUT ZINC.
KIT7	1	13-02-0037/R	2ND STAGE 60MM. GUIDING CYLINDMCH13/16 KIT
7.1	1	13-02-0037	2ND STAGE 60MM. GUIDING CYLINDMCH13/16
7.2	1	13-00-0015	O-RING 2275 NBR 70
7.3	1	13-00-0039	O-RING 3237 NBR 70
7.4	4	13-00-0018	MIDDLE NUT ZINC.
7.5	4	13-02-0040	2ND/3RD STAGE TIE ROD
8	1	13-00-0205	1ST STAGE SAFETY VALVE MCH-13-16 10BAR

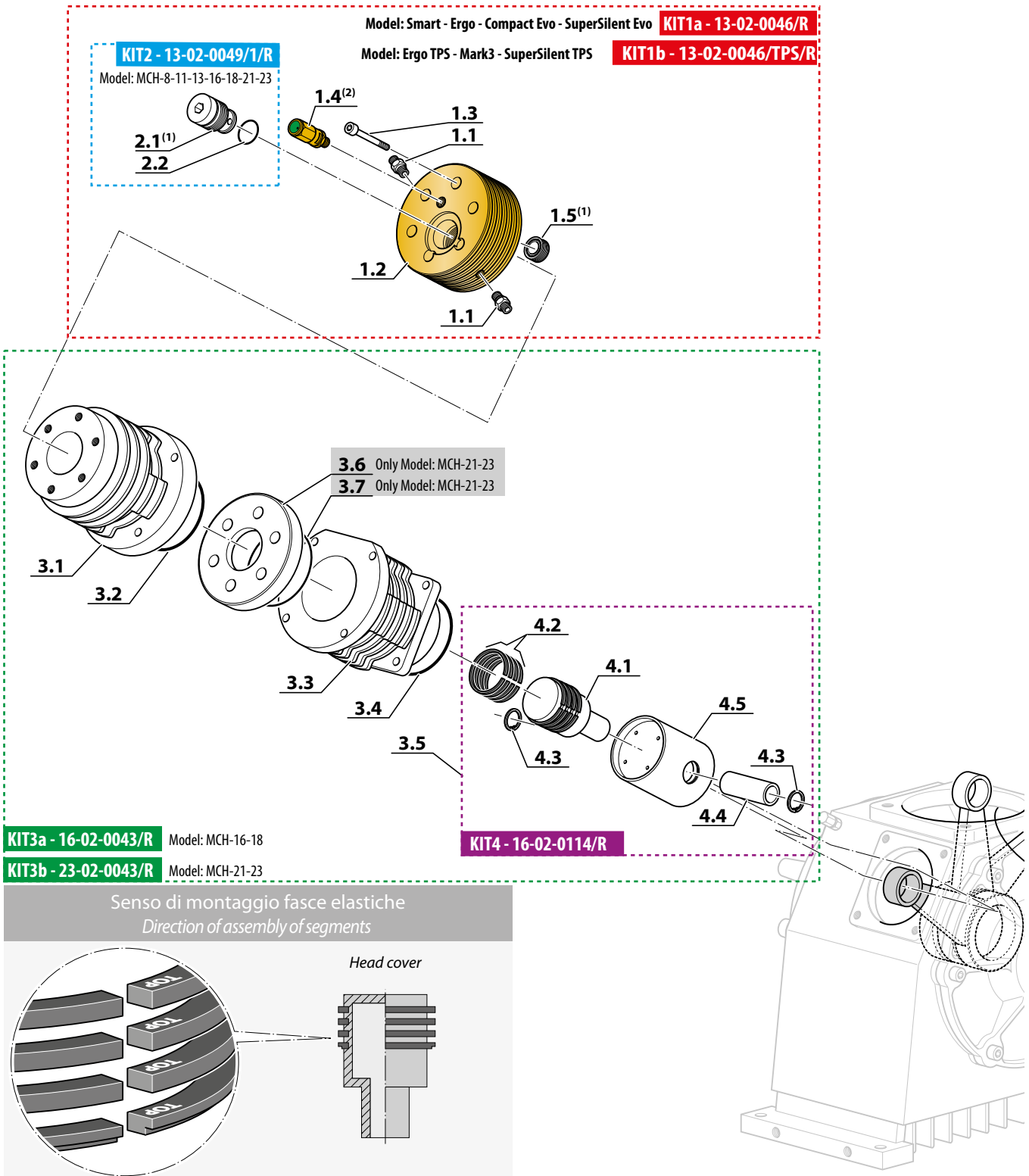
2nd STAGE



2nd STAGE

POS.	QTY	CODE	DESCRIPTION		
KIT1a	1	13-02-0046/R	2ND STAGE HEAD COMPLETE		
1.1	2		FITTING M16X1,5 - G1/4 TUBE Ø10		
1.2	1		SECOND STAGE HEAD MCH13/16		
1.3	6		SCREW 8X45 T.C.E. INOX		
1.4	1	13-00-0205	1ST STAGE SAFETY VALVE MCH-13-16 10BAR		
1.5	1	13-02-0044/P	2ND STAGE SUCTION VALVE INOX		
KIT2	1	13-02-0049/1/R	2ND STAGE PRESSURE VALVE INOX MCH13/16 KIT		
2.1	1		2ND STAGE PRESSURE VALVE ASS MCH13/16		
2.2	1		O-RING 4087 (21,82X3,53) VITON 90		
KIT1b	1	13-02-0046/TPS/R	2ND STAGE HEAD COMPLETE PER TPS MODEL		
1.1	2		FITTING M16X1,5 - G1/4 TUBE Ø12		
1.2	1		SECOND STAGE HEAD MCH13/16		
1.3	6		SCREW 8X45 T.C.E. INOX		
1.4	1	13-00-0205	1ST STAGE SAFETY VALVE MCH-13-16 10BAR		
1.5	1	13-02-0044/P	2ND STAGE SUCTION VALVE INOX		
KIT2	1	13-02-0049/1/R	2ND STAGE PRESSURE VALVE INOX MCH13/16 KIT		
2.1	1		2ND STAGE PRESSURE VALVE ASS MCH13/16		
2.2	1		O-RING 4087 (21,82X3,53) VITON 90		
KIT3a	1	16-02-0043/R	2ND STAGE CYLINDER D.38MM MCH16 KIT		
3.1	1		2ND STAGE CYLINDER MCH-16/23		
3.2	1		O-RING 3237 NBR 90SH 60X2,62		
3.3	1		2ND STAGE 60MM. GUIDING CYLINDMCH13/16		
3.4	1		O-RING 2275 NBR 90SH (69,57X1,78)		
3.5	1		2ND STAGE PISTON D.60/38MM MCH16 KIT		
KIT3b	1	23-02-0043/R	2ND STAGE CYLINDER D.38MM MCH-21-23 KIT		
3.1	1		2ND STAGE CYLINDER MCH-16/23		
3.2	1		O-RING 3237 NBR 90SH 60X2,62		
3.3	1		2ND STAGE 60MM. GUIDING CYLINDMCH13/16		
3.4	1		O-RING 2275 NBR 90SH 69,57X1,78		
3.5	1		2ND STAGE PISTON D.60/38MM MCH16 KIT		
3.6	1		SPACER 2ND STAGE MCH-23		
3.7	1		O-RING 3281 NBR 90SH 71,12x2,62		
KIT4	1	16-02-0114/R	2ND STAGE PISTON D.60/38MM MCH16 KIT		
4.1	1		2ND STAGE PISTON D.60/38MM MCH16		
4.2	4	16-02-0113	2ND STAGE PISTON RINGS D.38MM MCH/16		
4.3	2		SEEGER RETAINING RING		
4.4	1		2ND STAGE PIN		
4.5	1		PUSHING PISTON 60MM. MCH13-16		

2nd STAGE

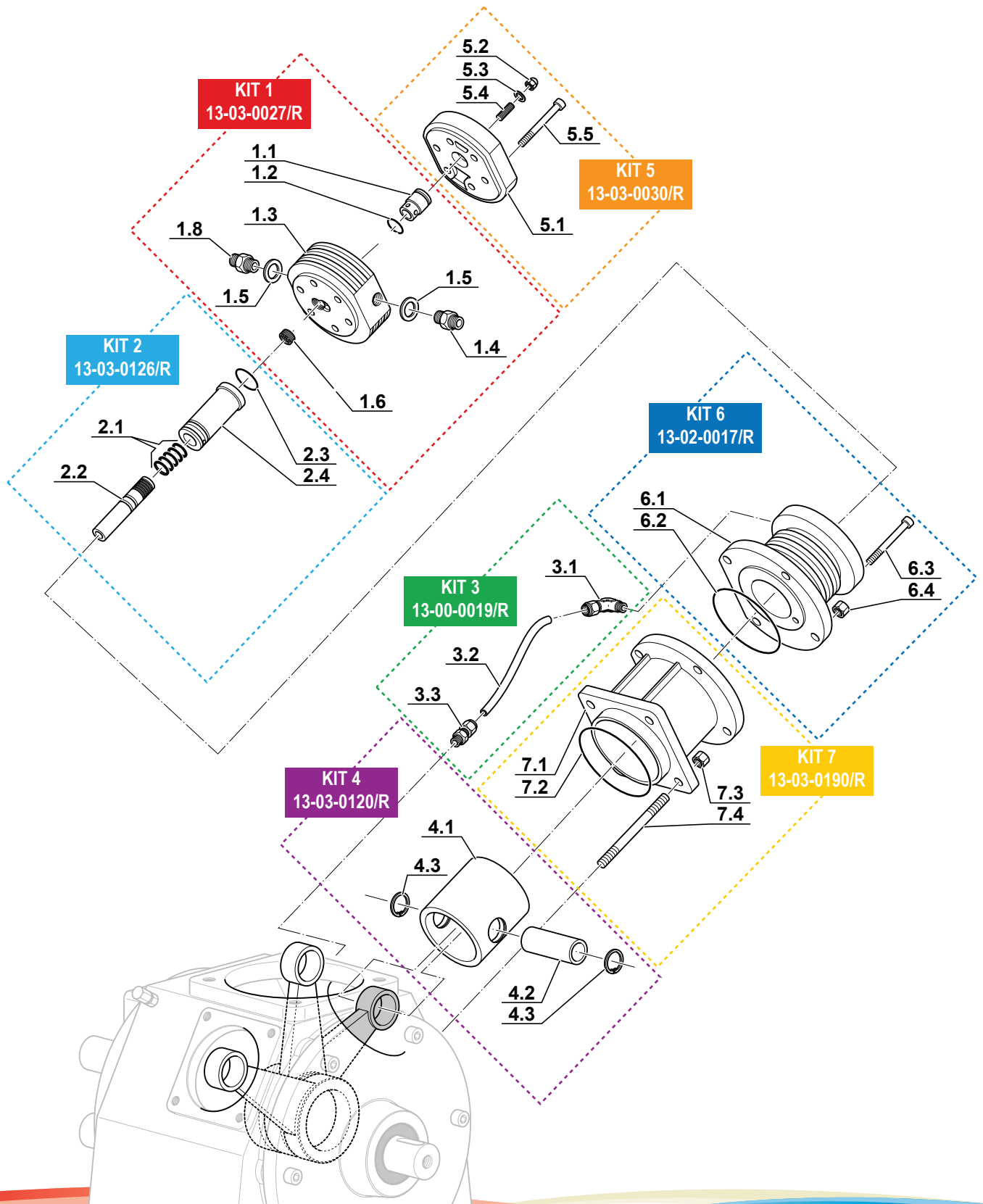


2.1⁽¹⁾ The valve must be tightened with a torque of 81 ftlbs
1.4⁽²⁾ The valve must be tightened with a torque of 15 ftlbs

3rd STAGE G2 For models up to 03-2014

Pos.	Qty	Code	Description
KIT1	1	13-03-0027/R	3RD STAGE HEAD FOR MCH13/16 KIT
1.1	1	13-03-0028	3RD STAGE PRESSURE VALVE ASS MCH13/16
1.2	1	13-03-0029/90	O-RING VITON NBR 90 SHORT
1.3	1	13-03-0027	3RD ST.GE HEAD FOR MCH13/16
1.4	2	13-00-0025E	FITTING 1/4 G -PIPE
1.5	2	GUAR1319	COPPER WASHER
1.6	1	13-03-0020	3RD SUCTION VALVE ASSBLY MCH13/16
1.8	1	13-00-0175E	1/4 G TUBE 8MM FITTING
KIT2	1	13-03-0126/R	PISTON 3RD STAGE 14 MCH13/16 KIT
2.1	5	13-03-0158	3 RD STAGE SEGMENTS Ø14 COD. 0001400000 50
2.2	1	13-03-0126	PISTON 3RD ST.GE 14 DIA MM
2.3	1	13-03-0123	O-RING 2100 VITON NBR 90 SHORT
2.4	1	13-03-0125	3RD STAGE CYLINDER DIA 14MM MCH13/16
KIT3	1	13-00-0019/R	LUBRICATION TUBE 3RD STAGE MCH13/16
3.1	1	13-00-0021	FITTING 90° 1/8 NPT
3.2	1	13-00-0019	OIL LEVEL INDICATOR
3.3	1	RACC0818R	CONNECTION .DIAM. 8 1/8 FOR RILS TUBE
KIT4	1	13-03-0120/R	PUSHING PISTON 3RD STAGE MCH13-16
4.1	1	13-03-0120	PUSHING PISTON 60MM. MCH13-16
4.2	1	13-02-0111	2ND STAGE PIN
4.3	2	13-00-0110	SEEGER RETAINING RING
KIT5	1	13-03-0030/R	3RD STAGE HEAD COVER KIT
5.1	1	13-03-0030	3RD STAGE HEAD COVER
5.2	1	13-00-0032	STAINLESS STEEL CAP NUT
5.3	1	13-03-0033	COPPER WASHER MCH13/16
5.4	1	13-03-0034	8X25 STAINLESS STEEL DOWEL
5.5	6	13-00-0031	SCREW T.C.E. ZINC.
KIT6	1	13-02-0017/R	3RD STAGE GUIDING CYLINDER MCH13/16 KIT
6.1	1	13-02-0017	3RD STAGE GUIDING CYLINDER MCH13/16
6.2	1	13-00-0039	O-RING 3237 NBR 70
6.3	6	13-00-0031	SCREW ZINC.
6.4	4	13-00-0018	MIDDLE NUT ZINC.
KIT7	1	13-03-0190/R	LOWER 3RD STAGE 60MM GUIDING CYLINDER KIT
7.1	1	13-03-0190	LOWER 3RD STAGE 60MM. GUIDING CYLINDER
7.2	1	13-00-0015	O-RING 2275 NBR 70
7.3	4	13-00-0018	MIDDLE NUT ZINC.
7.4	4	13-02-0040	2ND/3RD STAGE TIE ROD

3rd STAGE G2
For models up to 03-2014

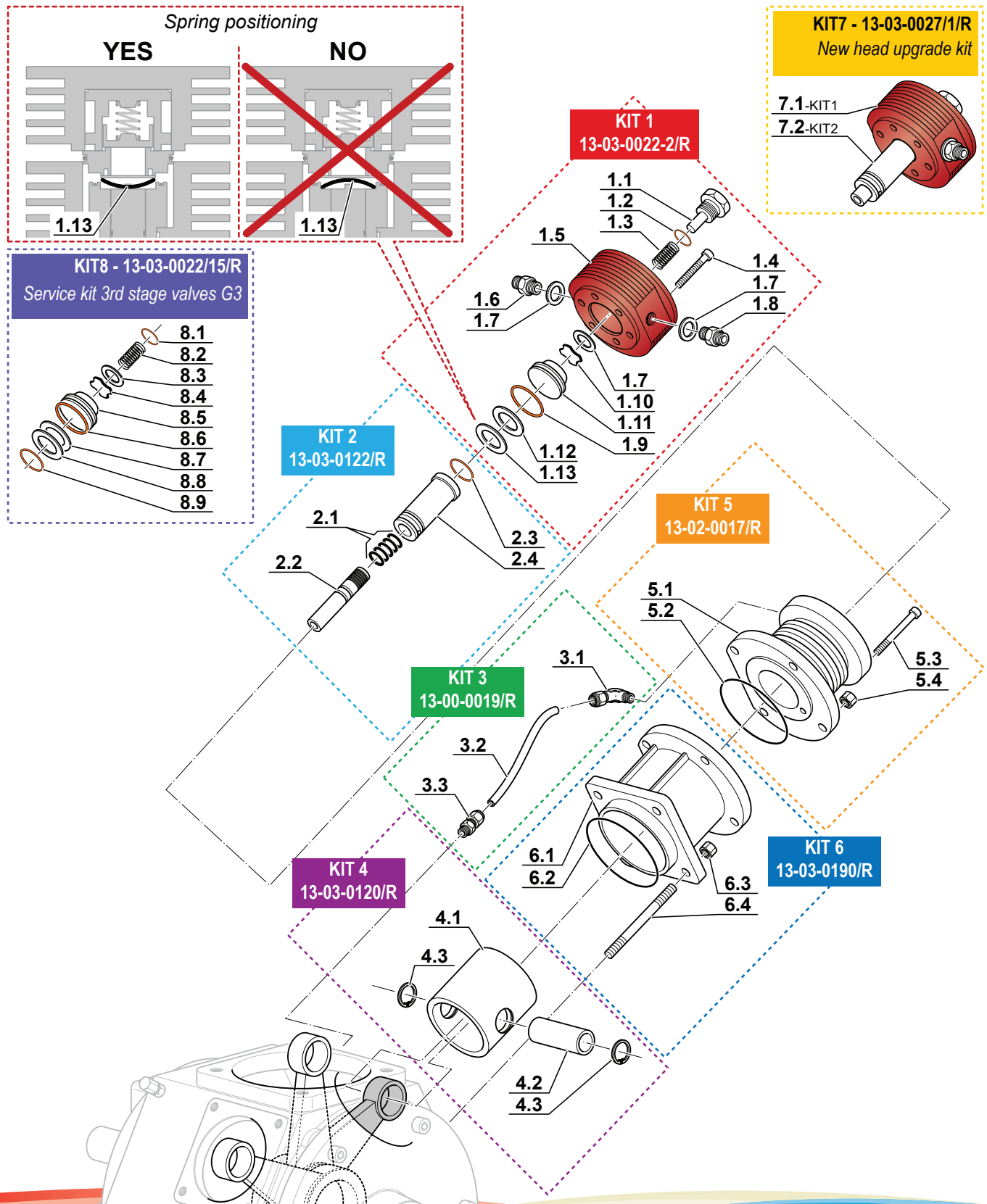


3rd STAGE G3

For models by 03-2014

Pos.	Qty	Code	Description
KIT1	1	13-03-0022-2/R	3RD STAGE NEW HEAD MCH-13-16
1.1	1	13-03-0026	SPINDLE SPRING VALVE 3RD STAGE
1.2	1	13-03-0029/90	O-RING VITON NBR 90 SHORT
1.3	1	36-04-017	INOX SPRING
1.4	6	VITE0845	SCREW ZINC. DIN912
1.5	1	13-03-0027/1	KIT 3RD STAGE NEW HEAD MCH-13-16
1.6	1	13-00-0175E	1/4 G TUBE 8MM FITTING
1.7	3	GUAR1319	COPPER WASHER 1/4
1.8	1	13-00-0025E	FITTING 1/4 G -PIPE 6MM
1.9	1	13-03-0123	O-RING 2100 VITON NBR 70 SHORT
1.10	1	13-03-0019	STAR PLATE EXHAUST VALVE 3RD STAGE MCH-13-16
1.11	1	13-03-0022/15	BODY VALVE 3RD STAGE MCH-13-16
1.12	1	36-04-018	DISC VALVE SUCTION MCH36 (24X15,2X1)
1.13	1	36-04-020	SPRING 24X15,2 H.O,2 4° ST. MCH-36
KIT2	1	13-03-0122/R	PISTON 3RD ST.GE 14 MCH13/16 KIT
2.1	5	13-03-0158	3 RD STAGE SEGMENTS Ø14 COD. 0001400000 S0
2.2	1	13-03-0122	PISTON 3RD ST.GE Ø14MM WITH PEG ACC. AVP
2.3	1	13-03-0123	O-RING 2100 VITON NBR 70 SHORT
2.4	1	13-03-0128	3RD STAGE CYL. Ø14MM MCH13/16 SUCTION VALVE
KIT3	1	13-00-0019/R	LUBRICATION TUBE 3RD STAGE MCH13/16
3.1	1	13-00-0021	FITTING 90° 1/8 NPT
3.2	1	13-00-0019	OIL LEVEL INDICATOR
3.3	1	RACC0818R	CONNECTION ,DIAM. 8 1/8 FOR RILS TUBE
KIT4	1	13-03-0120/R	PUSHING PISTON 3RD SATGE MCH13-16
4.1	1	13-03-0120	PUSHING PISTON 60MM. MCH13-16
4.2	1	13-02-0111	2ND STAGE PIN
4.3	2	13-00-0110	SEEGER RETAINING RING
KIT5	1	13-02-0017/R	3RD STAGE GUIDING CYLINDER MCH13/16 KIT
5.1	1	13-02-0017	3RD STAGE GUIDING CYLINDER MCH13/16
5.2	1	13-00-0039	O-RING 3237 NBR 70
5.3	6	VITE0845	SCREW ZINC. DIN912
5.4	4	13-00-0018	MIDDLE NUT ZINC.
KIT6	1	13-03-0190/R	LOWER 3RD STAGE 60MM GUIDING CYLINDER KIT
6.1	1	13-03-0190	LOWER 3RD STAGE 60MM. GUIDING CYLINDER
6.2	1	13-00-0015	O-RING 2275 NBR 70
6.3	4	13-00-0018	MIDDLE NUT ZINC.
6.4	4	13-02-0040	2ND/3RD STAGE TIE ROD
KIT7	1	13-03-0027/1/R	NEW HEAD UPGRADE KIT
7.1	1	13-03-0022-2/R	3RD STAGE NEW HEAD MCH-13-16
7.2	1	13-03-0122/R	PISTON 3RD ST.GE 14 MCH13/16 KIT
KIT8	1	13-03-0022/15/R	SERVICE KIT 3RD STAGE VALVES G3
8.1	1	13-03-0029/90	O-RING VITON NBR 90 SHORT
8.2	1	36-04-017	INOX SPRING Ø11X8,6 L. 18,5 WIRE 1,2 4° ST. MCH-36
8.3	1	GUAR1319	COPPER WASHER 1/4
8.4	1	13-03-0019	STAR PLATE EXHAUST VALVE 3RD STAGE MCH-13-16
8.5	1	13-03-0022/15	BODY VALVE 3RD STAGE MCH-13-16
8.6	1	13-03-0123	O-RING 2100 VITON NBR 70 SHORT
8.7	1	36-04-018	DISC VALVE SUCTION MCH36
8.8	1	36-04-020	SPRING
8.9	1	13-03-0123	O-RING 2100 VITON NBR 70 SHORT

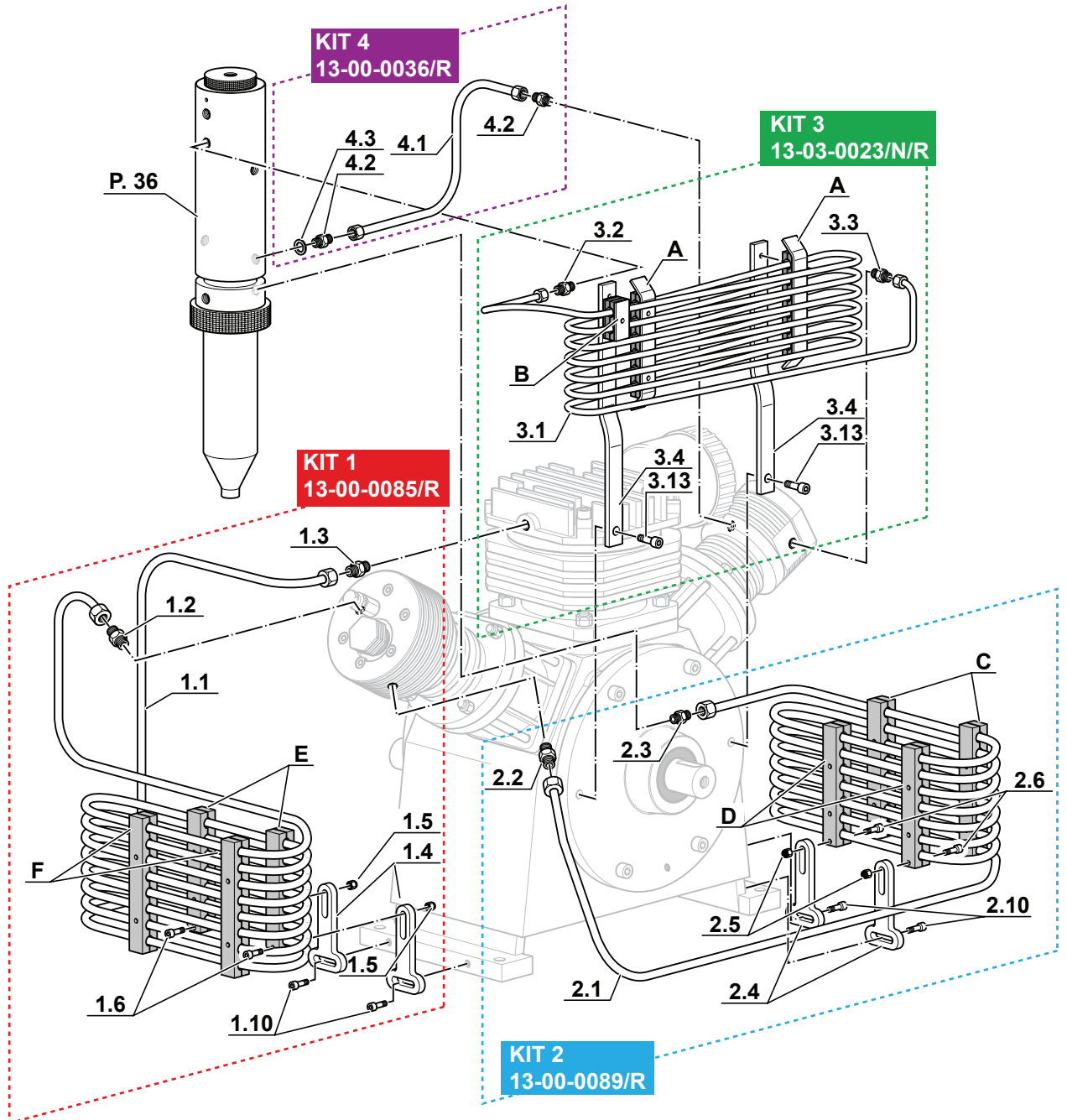
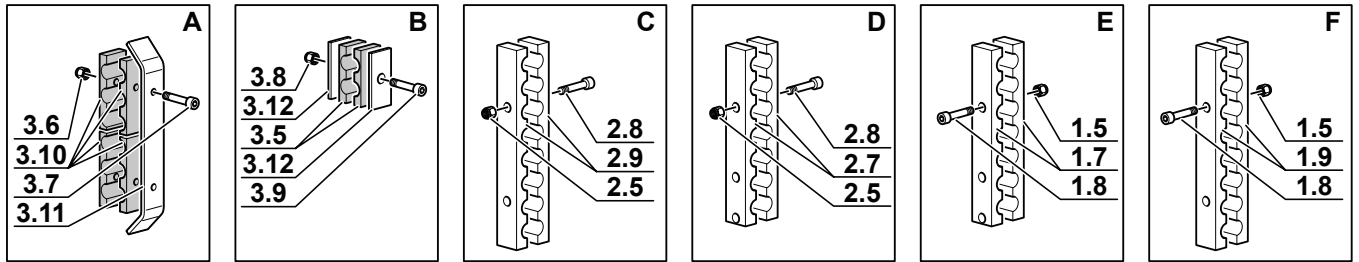
3rd STAGE G3
For models by 03-2014



PRESSURE CIRCUIT

Pos.	Qty	Code	Description
KIT1	1	13-00-0085/R	1ST-2ND STAGE 10MM COOLING PIPE KIT
1.1	1	13-00-0085	1ST-2ND STAGE 10MM COOLING PIPE
1.2	1	13-02-0045E	FITTING 1/4 G - TUBE 10MM HEAD 2°STD MCH 13/16
1.3	1	13-00-0178E	FITTING TUBE10MM 1/4 NPT
1.4	2	13-00-0091	PIPE HOLDING BRACKET 45X15MM
1.5	10	13-00-0137	SELF LOCKING NUT
1.6	4	13-00-0067	SCREW ZINC. DIN 912
1.7	4	13-00-0186	3 HOLE PIPE-HOLDING BRACKET
1.8	8	13-00-0087	SCREW ZINC. DIN 912
1.9	4	13-00-0197	2 HOLE PIPE-HOLDING BRACKET
1.10	4	VITE0620	SCREW ZINC. DIN912
KIT2	1	13-00-0089/R	2ND-1ST STAGE 10MM COOLING PIPE KIT
2.1	1	13-00-0089	2ND-3RD STAGE 10MM COOLING PIPE KIT
2.2	1	13-02-0045E	FITTING 1/4 G - TUBE 10MM HEAD 2°STD MCH 13/16
2.3	1	13-00-0026E	STRAIGHT FITTING 1/4 G -TUBO 10MM
2.4	2	13-00-0083	PIPE HOLDING BRACKET 75X15MM. MCH13/16
2.5	10	13-00-0137	SELF LOCKING NUT HIGH
2.6	4	13-00-0067	SCREW ZINC. DIN 912
2.7	4	13-00-0186	3 HOLE PIPE-HOLDING BRACKET
2.8	8	13-00-0087	SCREW ZINC. DIN 912
2.9	4	13-00-0197	2 HOLE PIPE-HOLDING BRACKET
2.10	4	VITE0620	SCREW ZINC. DIN912
KIT3	1	13-03-0023/N/R	3RD-SEPARATOR 6MM COOLING PIPE KIT
3.1	1	13-03-0023/N	6MM COOLING PIPE 3RD-SEPARATOR
3.2	1	13-00-0174E	STRAIGHT 1/8 PIPE FITTING 6
3.3	1	13-00-0025E	FITTING 1/4 G -TUBO 6MM ERMETO
3.4	2	13-00-0133	TUBE CLAMP 6 MM SEPARATOR-4TH STAGE
3.5	2	13-00-0134/1	ANTI VIBRATION BLOCK TUBE6 2 HOLE
3.6	4	DADM6AUBAS	SELF LOCKING NUT LOW DIN 985
3.7	4	13-00-0041	SCREW ZINC. DIN 912
3.8	1	DA05	SELF LOCKING NUT ZINC. LOW
3.9	1	VITE0525Z	SCREW ZINC. DIN912
3.10	8	13-00-0134	ANTI VIBRATION BLOCK TUBE6 3 HOLE
3.11	2	13-00-0136	DOUBLE 6MM. PIPE-HOLDING BRACKET MCH13/16
3.12	2	13-00-0135	SINGLE 6MM. PIPE-HOLDING BRACKET MCH13/16
3.13	2	13-00-0075	SCREW ZINC
KIT4	1	13-00-0036/R	SEPARATOR-3RD 8MM COOLING PIPE KIT
4.1	1	13-00-0036	TUBE 8MM. 3RD STAGE/SEPARATOR(D) MCH13/16
4.2	2	13-00-0175E	1/4 G TUBE 8MM FITTING
4.3	1	GUAR1319	COPPER WASHER

PRESSURE CIRCUIT

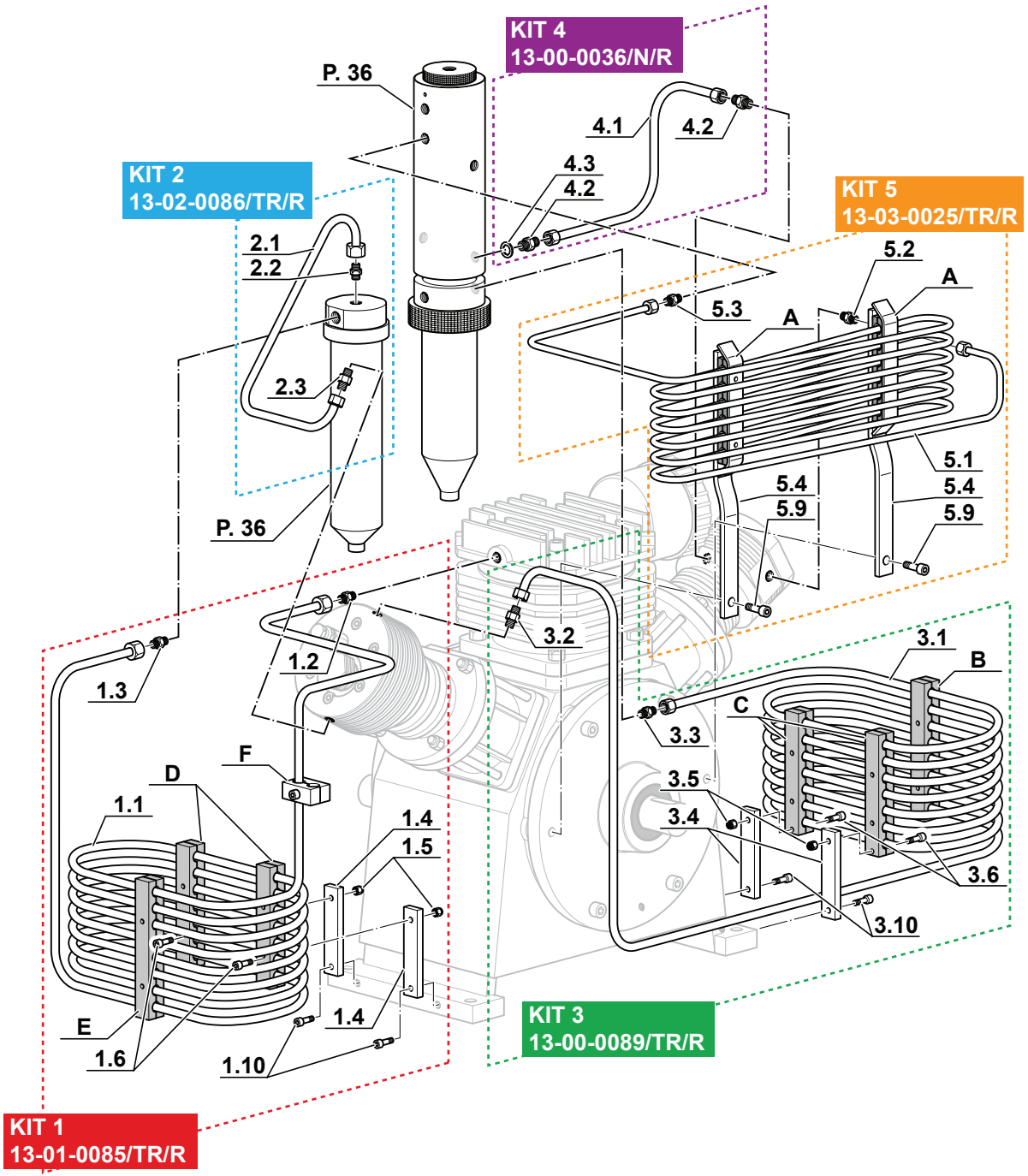
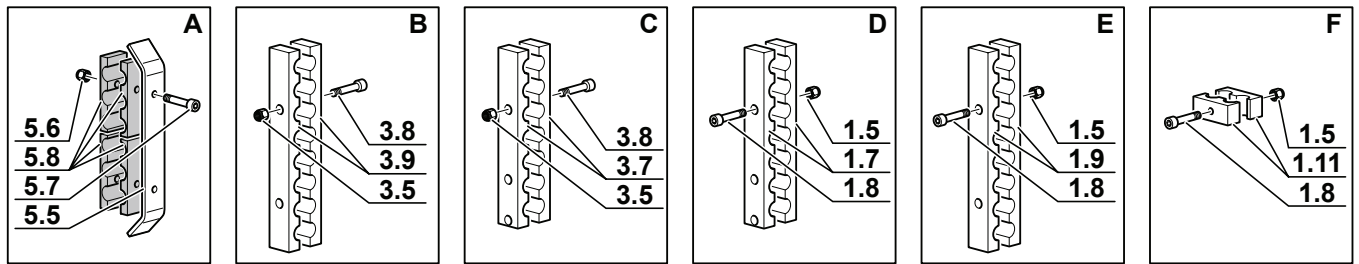


PRESSURE CIRCUIT

Mod: Tropical - Tropical Plus

Pos.	Qty	Code	Description
KIT1	1	13-01-0085/TR/R	COOLING PIPE 12MM 1ST-SEP. MCH13/16 TR-TRPL KIT
1.1	1	13-01-0085/TR	COOLING PIPE 12MM 1ST-SEPARATOR MCH13/16 T-TP
1.2	1	RACC/E21115121/4	STRAIGHT FITTING 1/4NPT TUBE 12MM SHORT
1.3	1	RACCE212112LG1/2	FITTING E212-112L G1/2" WITH GASKET
1.4	2	13-00-0083	PIPE HOLDING BRACKET 75X15MM. MCH13/16
1.5	8	13-00-0137	SELF LOCKING NUT HIGH
1.6	2	13-00-0067	SCREW ZINC. DIN 912
1.7	4	13-00-0197/TR	2 HOLE PIPE-HOLDING BRACKET
1.8	6	13-00-0087	SCREW ZINC. DIN 912
1.9	2	13-00-0197/TR	2 HOLE PIPE-HOLDING BRACKET
1.10	4	VITE0620	SCREW ZINC. DIN912
1.11	2	13-00-0196/TR	2 HOLE PIPE-HOLDING BRACKET
KIT2	1	13-02-0086/TR/R	COOLING PIPE 12MM SEP.-2ND MCH13/16 TR-TRPL KIT
2.1	1	13-02-0086/TR	COOLING PIPE 12MM SEP.-2ND MCH13/16 T-TP
2.2	1	RACC/E212112L38	FITTING E212-112L G3/8"
2.3	1	13-02-0047E	STRAIGHT FITTING 1/4G TUBE 12MM
KIT3	1	13-00-0089/TR/R	COOLING PIPE 12MM 2ND-SEP. MCH13/16 TR-TRPL KIT
3.1	1	13-00-0089/TR	COOLING PIPE 12MM 2ND-SEP. MCH13/16 TR-TR.PL
3.2	1	13-02-0047E	STRAIGHT FITTING 1/4G TUBE 12MM
3.3	1	13-02-0048E	FITTING 1/4 - M18X1,5 TUBE Ø12
3.4	2	13-00-0083	PIPE HOLDING BRACKET 75X15MM. MCH13/16
3.5	8	13-00-0137	SELF LOCKING NUT M6 HIGH
3.6	2	13-00-0067	SCREW 6X35 T.C.E. ZINC. DIN 912
3.7	4	13-00-0197/TR	2 HOLE PIPE-HOLDING BRACKET
3.8	4	13-00-0087	SCREW T.C.E. ZINC. 6X30 DIN 912
3.9	2	13-00-0186/TR	3 HOLE PIPE-HOLDING BRACKET
3.10	4	VITE0620	SCREW T.C.E. ZINC. 6X20 DIN912
KIT4	1	13-00-0036/N/R	TUBE 8MM SEP/3° ST.(D) KIT
4.1	1	13-00-0036/N	TUBE 8MM SEP/3° ST.(D)
4.2	2	13-00-0175E	1/4 G TUBE 8MM FITTING
4.3	1	GUAR1319	COPPER WASHER 1/4
KIT5	1	13-03-0025/TR/R	COOLING TUBE MCH13/16 TROPICAL PLUS 6X1 KIT
5.1	1	13-03-0023/N	COOLING TUBE MCH13/16 TROPICAL PLUS 6X1
5.2	1	RACC/E212-106LG	FITTING E212-106L G1/4"
5.3	1	RACC/E231506L18	1/8" NPT - TUBE6 FITTING
5.4	2	13-00-0133/TR	PIPE HOLDING BRACKET 6MM MCH13/16 TROPICAL
5.5	2	13-00-0136	DOUBLE 6MM. PIPE-HOLDING BRACKET MCH13/16
5.6	4	DADM6AUTBAS	SELF LOCKING NUT LOW M6 DIN 985
5.7	4	13-00-0041	SCREW T.C.E. ZINC. 6X25 DIN 912
5.8	8	13-00-0134	ANTI VIBRATION BLOCK TUBE6 3 HOLE
5.9	2	13-00-0075	SCREW T.C.E. ZINCATA 8X30

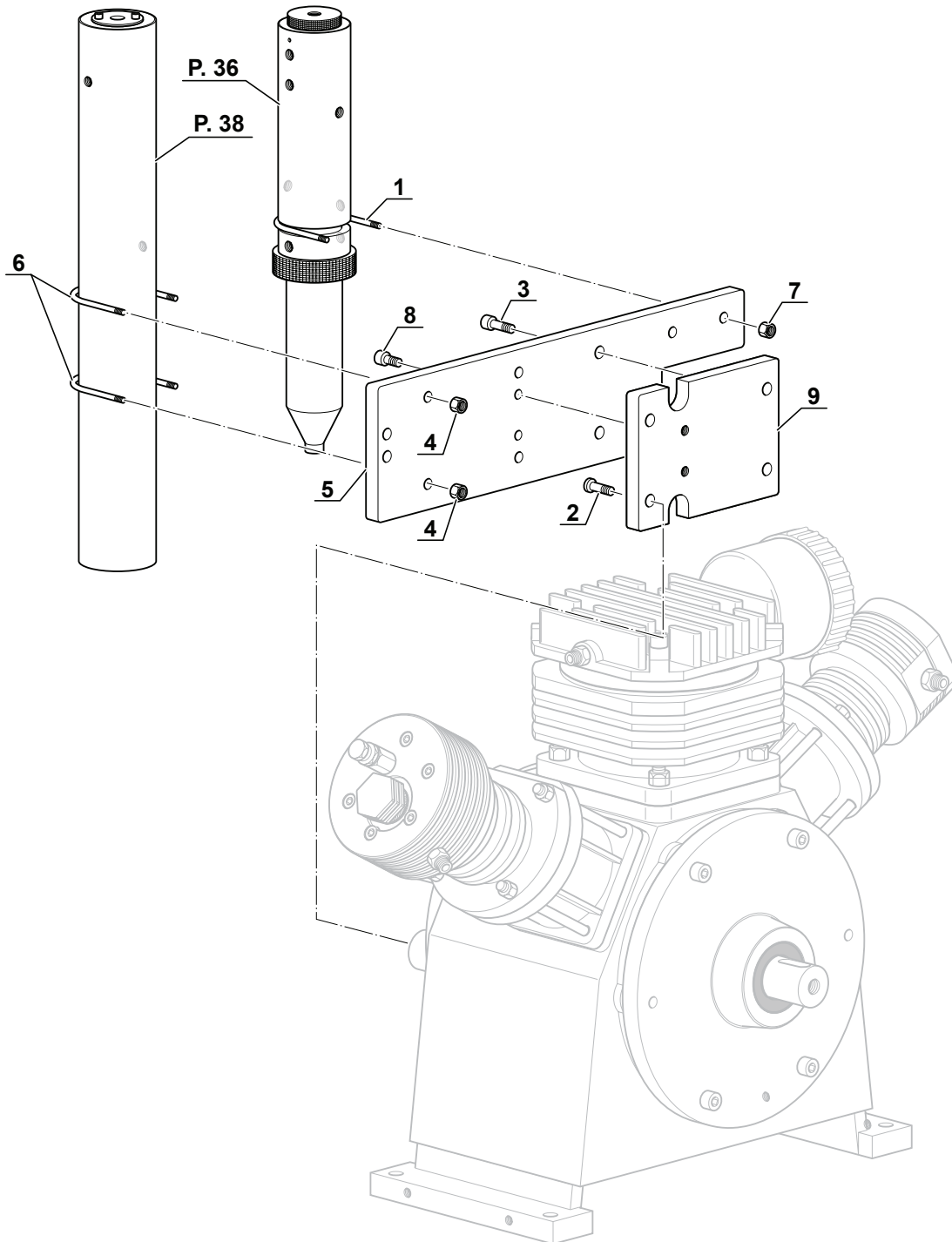
PRESSURE CIRCUIT
Mod: Tropical - Tropical Plus



SUPPORT

Pos.	Qty	Code	Description
1	1	13-00-0102	SEPARATOR CLAMP
2	2	VITE0825	SCREW ZINC. REDUCED HEAD
3	2	VITE0840	SCREW ZINC.
4	4	13-00-0018	MIDDLE NUT ZINC.
5	1	13-00-0094/1	HOLD-FILTERS PLATE MCH13/16
6	2	13-00-0093	FILTER HOLDING BRACKET MCH13/16
7	2	13-00-0101	SELF-LOCKING NUT
8	2	VITE0820	SCREW ZINC.
9	1	13-00-0069	COUNTER FILTERS PLATE MCH13/16

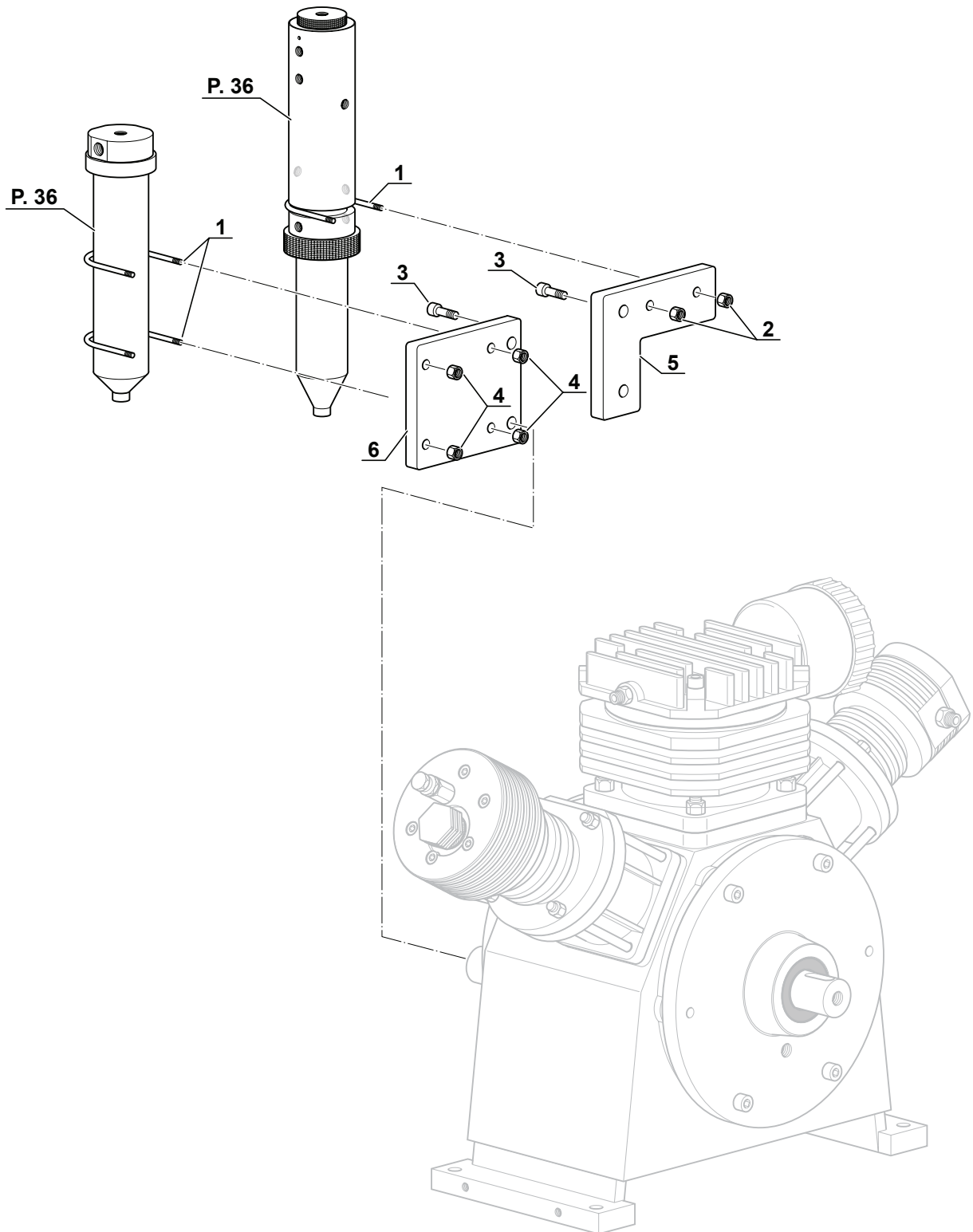
SUPPORT



SUPPORT
Mod: Tropical - Tropical Plus

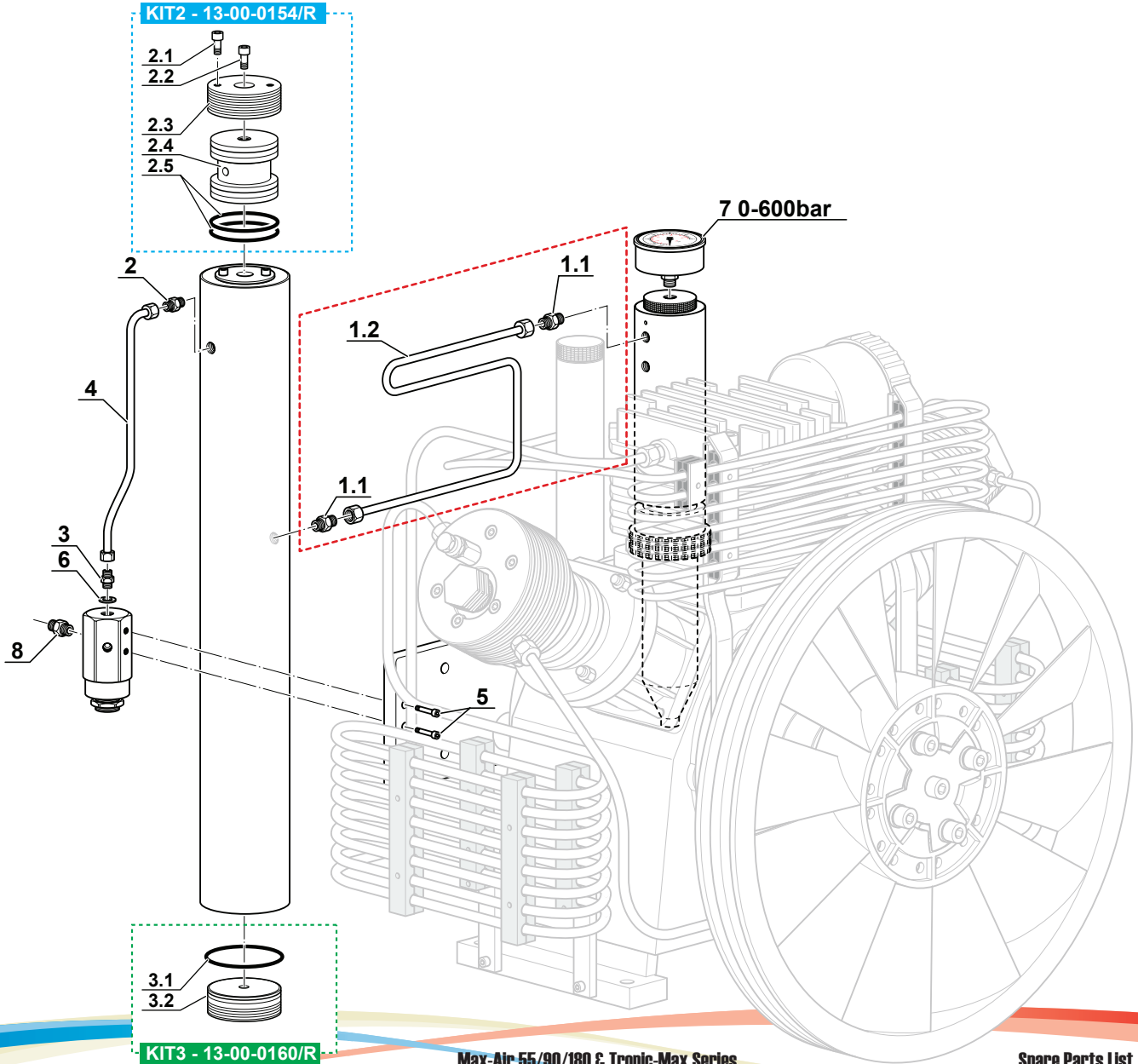
Pos.	Qty	Code	Description
1	3	13-00-0102	SEPARATOR CLAMP
2	2	13-00-0101	8MM SELF-LOCKING NUT
3	4	13-00-0048	SCREW ZINC. DIN 912
4	4	13-00-0018	MIDDLE NUT ZINC.
5	1	13-00-0094/1	CONDENSATE SEPARATOR PLATE MCH13-16 ZINC.
6	1	13-00-0094/2	SQUARE CONDENSATE SEP. PLATE MCH13-16 ZINC.

SUPPORT
Mod: Tropical - Tropical Plus



FILTERING CIRCUIT

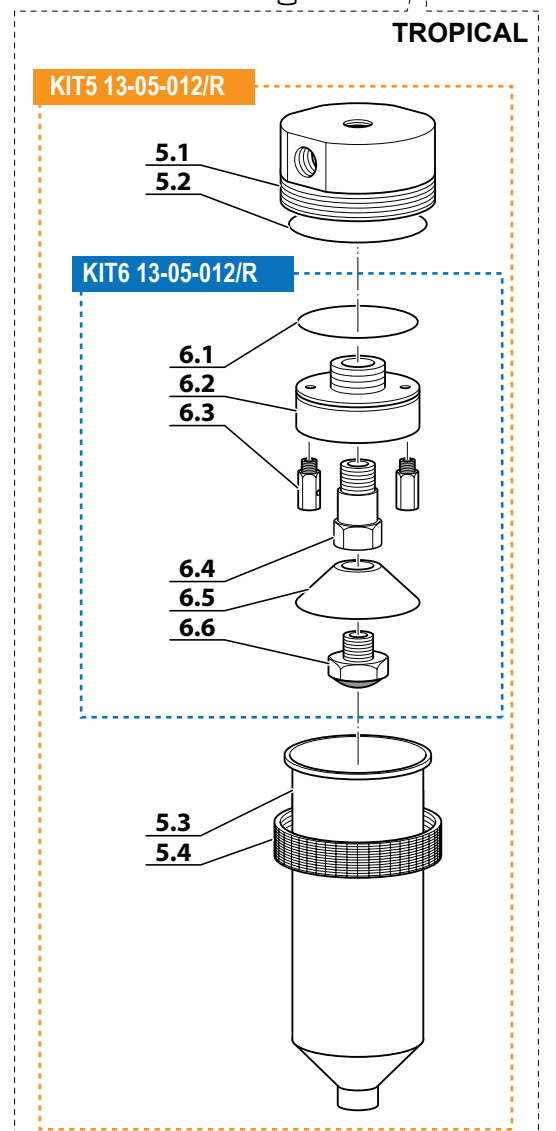
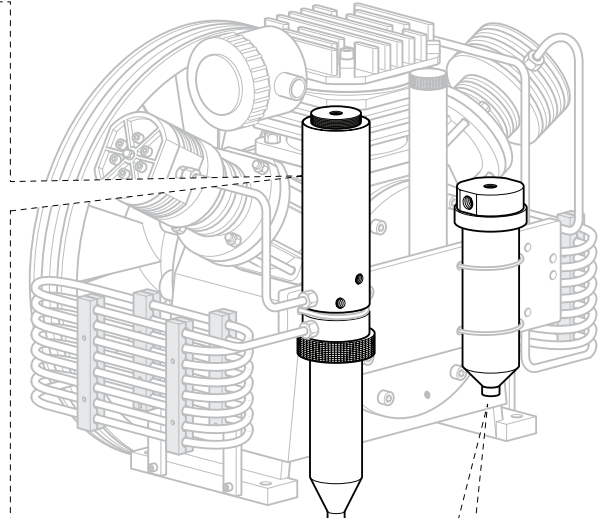
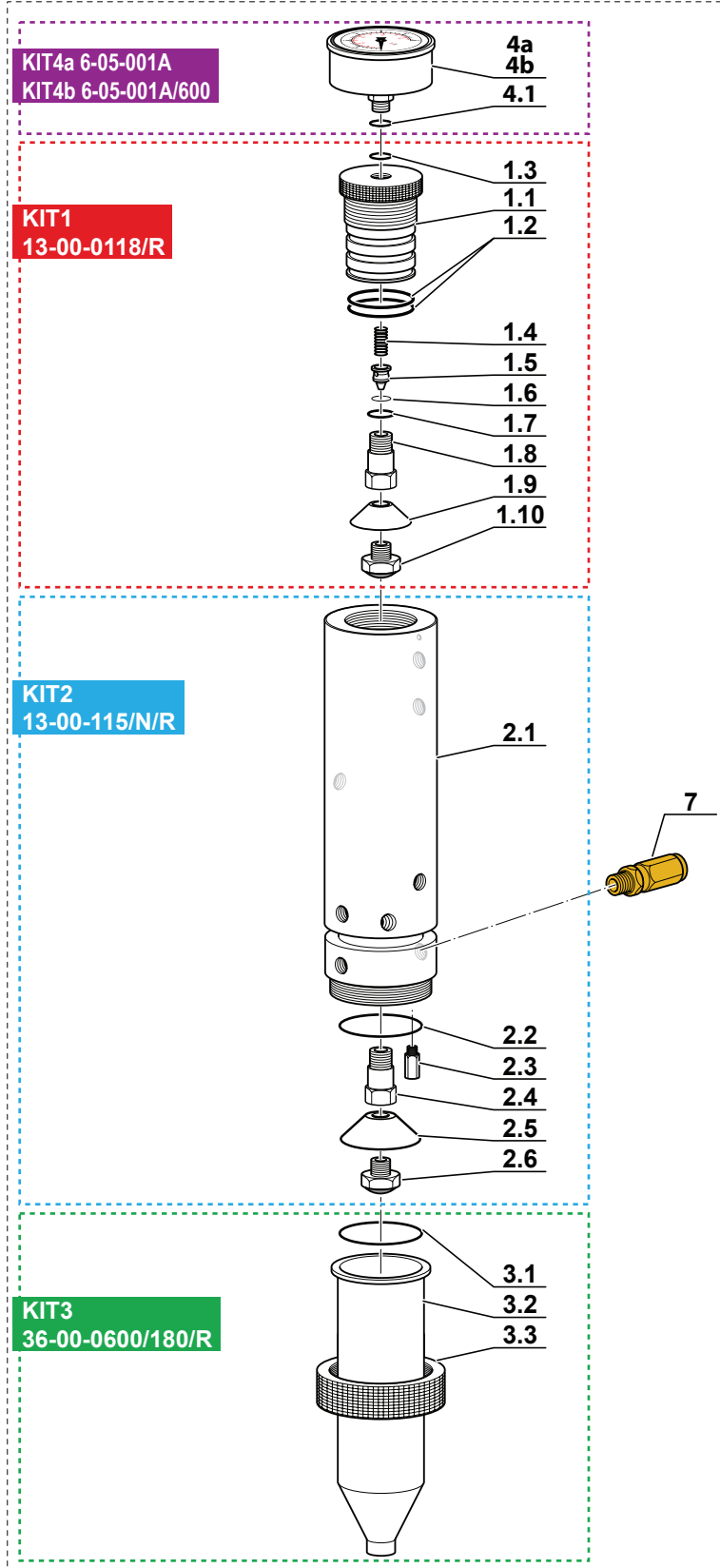
Pos.	Qty.	Code	Description
1.1	2	13-00-0174E	FITTING 1/8 NPT TUBE 6 mm
1.2	1	TUBO/MCH13/B/N	SEPARATOR-FILTER TUBE CONNECTION
2	1	13-00-0174E	FITTING 1/8 NPT TUBE 6 mm
3	1	13-00-0025E	FITTING 1/4 G -TUBO 6mm
4	1	13-04-0320	FILTER-VMP TUBE CONNECTION
5	1	13-00-0084	SCREW ZINC.
6	1	GUAR1420	COPPER GASKET
7	1	6-05-001A/600	MANOMETER 0-600 BAR
8	1	13-00-0174	STRAIGHT 1/8 PIPE FITTING 6
KIT 2	1	13-00-0154/R	MAXIFILTER TOP PLUG KIT
2.1	2	VITE0812E	T.C.E. INOX 8X12 SCREW
2.2	1	VITE0830	SCREW T.C.E. INOX 8X30
2.3	1	13-00-0154	UPPER FILTER CAP
2.4	1	13-00-0156	INTERNAL FILTER CAP
2.5	2	13-00-0155	O-R CAP FILTER
KIT 3	1	13-00-0160/R	LOWER FILTER CAP KIT
3.1	1	13-00-0155	O-R CAP FILTER
3.2	1	13-00-0160	LOWER FILTER CAP



CONDENSATE SEPARATOR

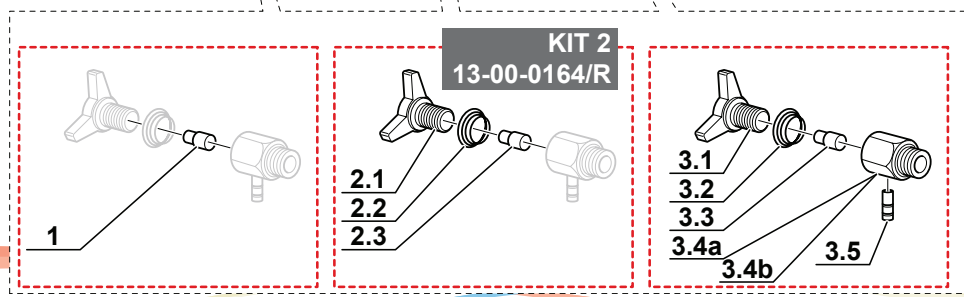
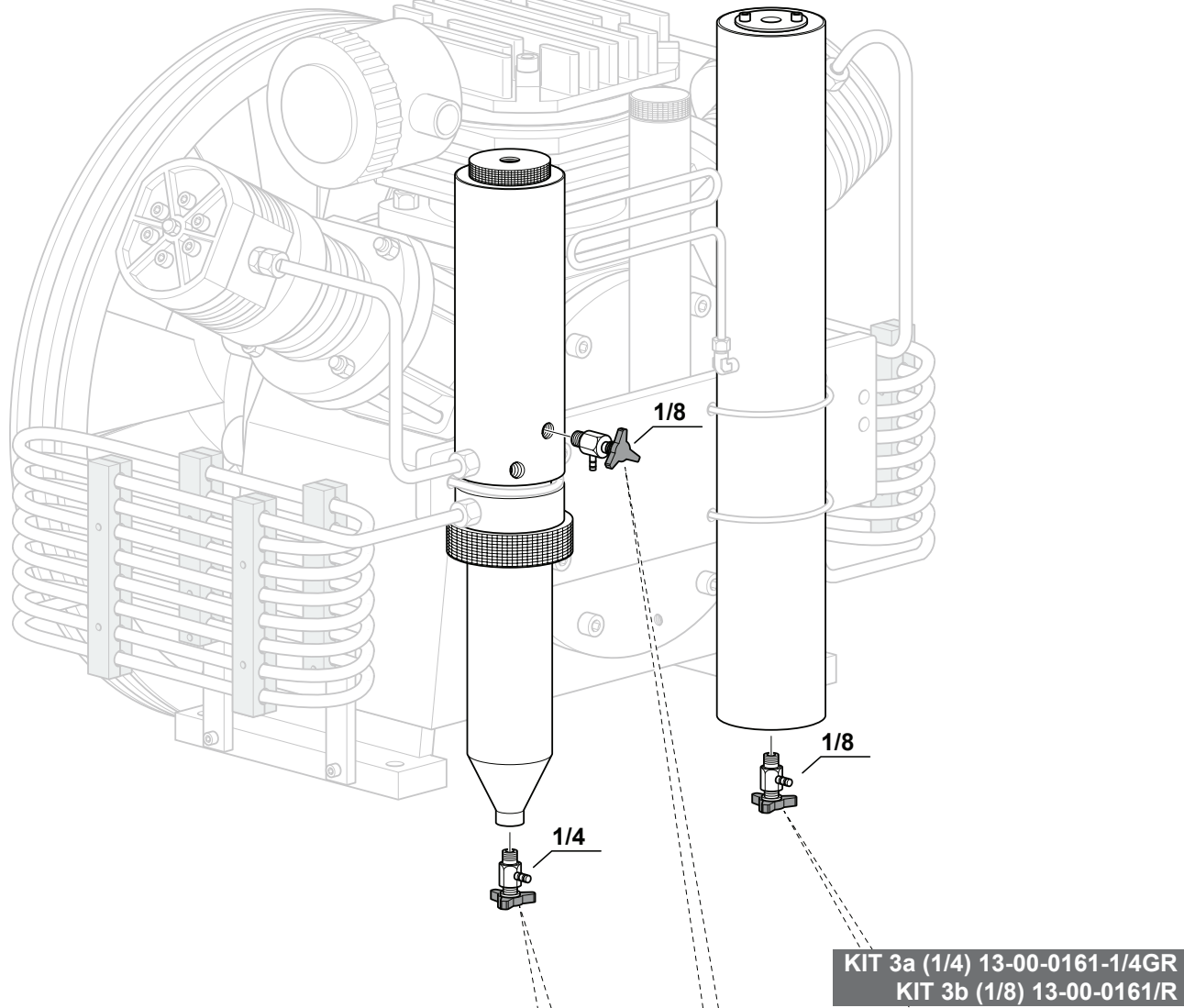
Pos.	Qty	Code	Description
KIT1	1	13-00-0118/R	CONDENSATE SEPARATOR PLUG KIT
1.1	1	13-00-0118	CONDENSATE SEPARATOR PLUG
1.2	2	OR-4143/90	O RING 4143 NBR 90
1.3	1	OR-2018/90	O RING 2018 NBR 90
1.4	1	SC000492/D	CHECK VALVE SPRING
1.5	1	SC000492/C	CHECK VALVE PISTON
1.6	1	OR-2021/90	O RING 2021 NBR 90
1.7	1	OR-114/90	O RING 114 NBR 90
1.8	1	13-00-0121	MCH-13/16 SEPARATOR FITTING
1.9	1	ROND/38/12,5	WASHER
1.10	1	SILENZ/E90A4003	SILENCER
KIT2	1	13-00-115/N/R	NEW SEPARATOR BODY MCH13/16 KIT
2.1	1	13-00-0115/N	NEW SEPARATOR BODY MCH13/16
2.2	1	36-05-008	O-RING 2212 NBR90 MCH36
2.3	1	13-00-0141	NEW CONDENSATE SEPARATOR DIFFUSER MCH13/16
2.4	1	13-00-0121	MCH-13/16 SEPARATOR FITTING
2.5	1	ROND/48/12,5	WASHER
2.6	1	SILENZ/E90A4003	SILENCER
KIT3	1	36-00-0600/180/R	D 54 AISI 316L LUNGH. 180MM SEPARATOR KIT
3.1	1	36-05-008	O-RING 2212 NBR90 MCH36
3.2	1	36-00-0600/180	SEPARATOR
3.3	1	36-05-013	SEPARATOR NUT MCH36
KIT4a	1	6-05-001A	MANOMETER 0-400 BAR MCH/6
4.1	1	OR-2018/90	O RING 2018 NBR 90
KIT4b	1	6-05-001A/600	MANOMETER 0-600 BAR MCH/6
4.1	1	OR-2018/90	O RING 2018 NBR 90
KIT5	1	13-05-012/R	CONDENSATE SEP. G3/8 MCH-13-16 TROPICAL KIT
5.1	1	36-05-012	3RD STAGE G3/8 SEPARATOR RIGHT PLUG
5.2	1	36-05-008	O-RING 2212 NBR90 MCH36
5.3	1	36-00-0600/180	CONDENSATE SEPARATOR PIPE, STAINLESS
5.4	1	36-05-013	SEPARATOR RING
6.1	1	OR-2150	OR- 2150 NBR 70
6.2	1	36-05-050/ALL	MCH-13/16 SEPARATOR FITTING INTERNAL PLUG
6.3	2	13-00-0141	NEW CONDENSATE SEPARATOR DIFFUSER MCH13/16
6.4	1	13-00-0121	MCH-13/16 SEPARATOR FITTING
6.5	1	ROND/48/12,5	WASHER
6.6	1	SILENZ/E90A4003	SILENCER
KIT6	1	36-05-050/ALL/R	MCH-13/16 SEPARATOR FITTING INTERNAL PLUG KIT
6.1	1	OR-2150	OR- 2150 NBR 70
6.2	1	36-05-050/ALL	MCH-13/16 SEPARATOR FITTING INTERNAL PLUG
6.3	2	13-00-0141	NEW CONDENSATE SEPARATOR DIFFUSER MCH13/16
6.4	1	13-00-0121	MCH-13/16 SEPARATOR FITTING
6.5	1	ROND/48/12,5	WASHER
6.6	1	SILENZ/E90A4003	SILENCER
7	1	13-00-0206	2ND STAGE SAFETY VALVE 70BAR

CONDENSATE SEPARATOR



CONDENSATE DISCHARGE

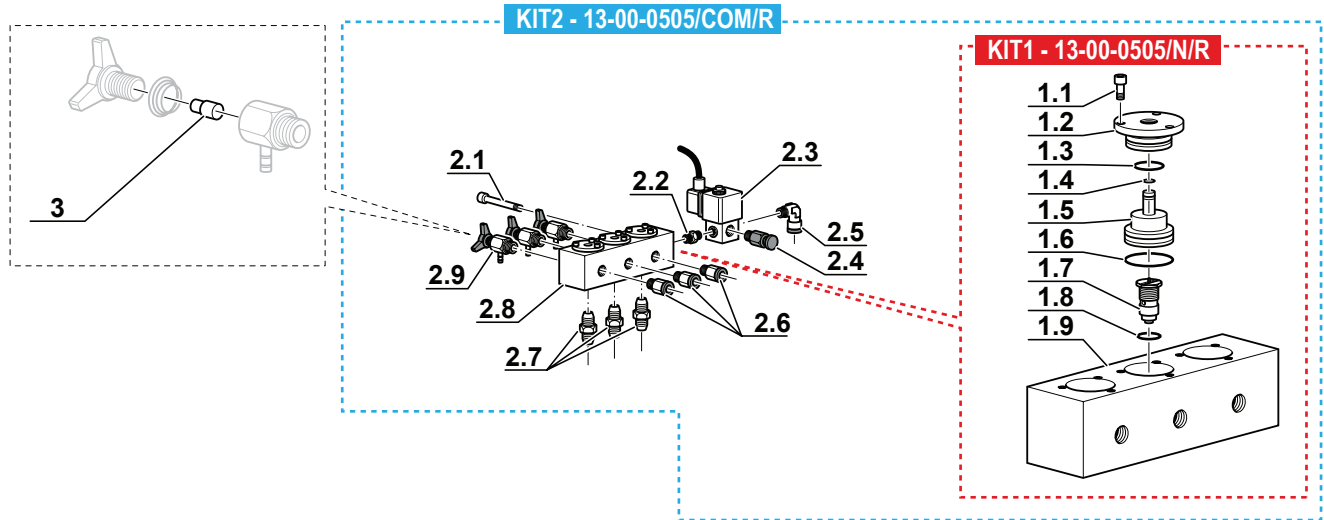
Pos.	Qty.	Code	Description		
1	1	13-00-0162	CONDENSATE DISCHARGE NYLON SEAT		
KIT 2	1	13-00-0164/R	CONDENSATE DISCHARGE WHEEL VALVE KIT		
2.1	1	13-00-0164	CONDENSATE DISCHARGE KNOB	NOT SOLD SEPARATELY	SEE KIT 2
2.2	1	13-00-0163	CONDENSATE DISCHARGE SPRING	NOT SOLD SEPARATELY	SEE KIT 2
2.3	1	13-00-0162	CONDENSATE DISCHARGE NYLON SEAT	NOT SOLD SEPARATELY	SEE KIT 2
KIT 3a	1	13-00-0161-1/4G/R	CONDENSATE DISCHARGE BODY VALVE 1/4 COMPLETE		
KIT 3b	1	13-00-0161-R	CONDENSATE DISCHARGE BODY VALVE 1/8 NPT COMPLETE		
3.1	1	13-00-0164	CONDENSATE DISCHARGE KNOB	NOT SOLD SEPARATELY	SEE KIT 2
3.2	1	13-00-0163	CONDENSATE DISCHARGE SPRING	NOT SOLD SEPARATELY	SEE KIT 2
3.3	1	13-00-0162	CONDENSATE DISCHARGE NYLON	NOT SOLD SEPARATELY	SEE KIT 2
3.4	1	13-00-0161	CONDENSATE DISCHARGE BODY VALVE 1/8 NPT	NOT SOLD SEPARATELY	SEE KIT 2
3.5	1	6-05-004F	DRAIN VALVE PIN	NOT SOLD SEPARATELY	SEE KIT 2



CONDENSATE DISCHARGE

Pos.	Qty	Code	Description
KIT1	1	13-00-0505/N/R	CONDENSATE DISCHARGE VALVE KIT
1.1	12	36-07-070	SCREW TCEIZN M5X12-8.8 MCH36
1.2	3	13-00-0506	CONDENSATE DISCHARGE BODY VALVE CAP
1.3	3	OR-2118	O RING 2118 70-75 SH (29.87X1.78)
1.4	3	OR-2018	O RING 2018 70-75 SH (4,48X1,78)
1.5	3	13-00-0507/A	CONDENSATE DISCHARGE VALVE PISTON
1.6	3	OR-2100	O RING 2100 NBR 70SH
1.7	3	SC000337/C/R	PRESSURE REDUCER BODY INPUT 300/200BAR
1.8	3	OR-114/90	O RING 114 90 SH
1.9	1	13-00-0505/N	CONDENSATE DISCHARGE BODY VALVE MCH13-16
KIT2	1	13-00-0505/COM/R	COMPACT CONDENSATE DISCHARGE KIT
2.1	2	VITE0645I	SCREW T.C.E. INOX 6X45
2.2	1	13-00-0142	STRAIGHT FITTING M 1/8 NPT - M 1/8 NPT
2.3	1	13-04-0221/N	LP SOLENOID VALVE
2.4	1	13-03-0179	2ND STAGE SAFETY VALVE
2.5	1	RACC/E2L31C08	TURNING FITTING 1/8M TUBE6
2.6	3	RACC/E2001007W	1/8 E2001007W FITTING WITH OR
2.7	3	13-00-0174E	STRAIGHT FITTING 1/8 NPT PIPE 6MM ERMETO
2.8	1	13-00-0505/N/R	CONDENSATE DISCHARGE VALVE KIT
2.9	3	13-00-0161/R	CONDENSATE DISCHARGE BODY VALVE 1/8 NPT KIT
3	1	13-00-0162	CONDENSATE DISCHARGE NYLON

CONDENSATE DISCHARGE



SAFETY VALVE

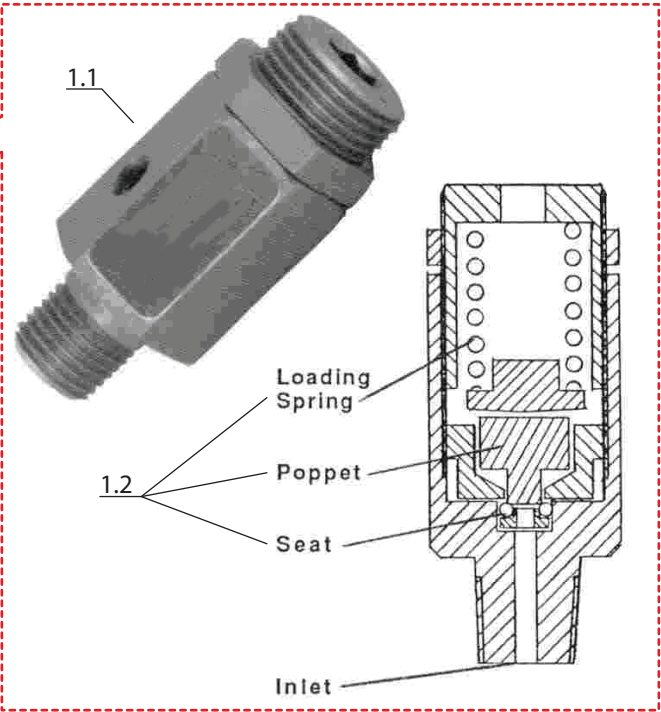
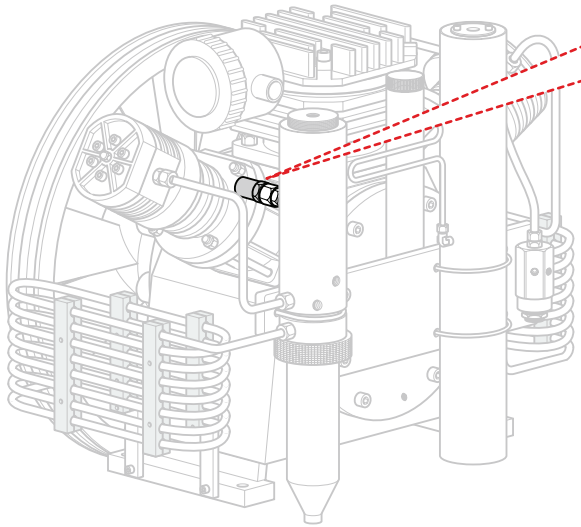
Pos.	Qty.	Code	Description
1.1	1	RV-504	FINAL SAFETY VALVE
1.2	1	RV-504-12	REBUILD KIT FOR RELIEF VALVE

PRESSURE MAINTAINING VALVE

Pos.	Qty.	Code	Description
	1	13-00-0127	MANTAINING PRESSURE VALVE 1/8 - 1/4
1.1	1	13-00-0147/N1	MAINTENANCE VALVE SCREW
1.2	1	OR-2025	O RING 2025 NBR 70
1.3	1	13-00-0149/N	MAINTENANCE VALVE PISTON
1.4	1	OR-2015	O RING 2015 NBR 90
1.5	1	13-00-0158	O-RING 3050 NBR
1.6	1	13-00-0147/N/1/8NPT	MAINTENANCE VALVE BODY 1/8 NPT
1.7	1	13-00-0157	VMP PISTON SCREW SPACER
1.8	1	13-00-0166	SAFETY VALVE SPRING
1.9	1	13-00-0151/N	VMP CAP
1.10	1	13-00-0147D/N	VMP NUT

SAFETY VALVE - PRESSURE MAINTAINING VALVE

SAFETY VALVE



PRESSURE MAINTAINING VALVE

